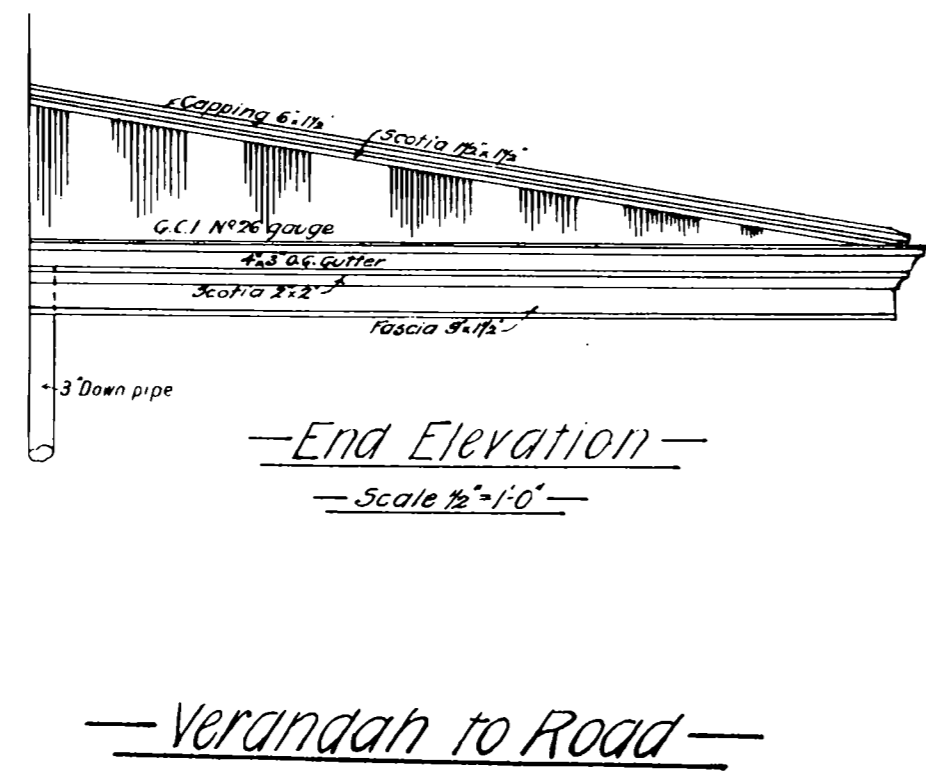
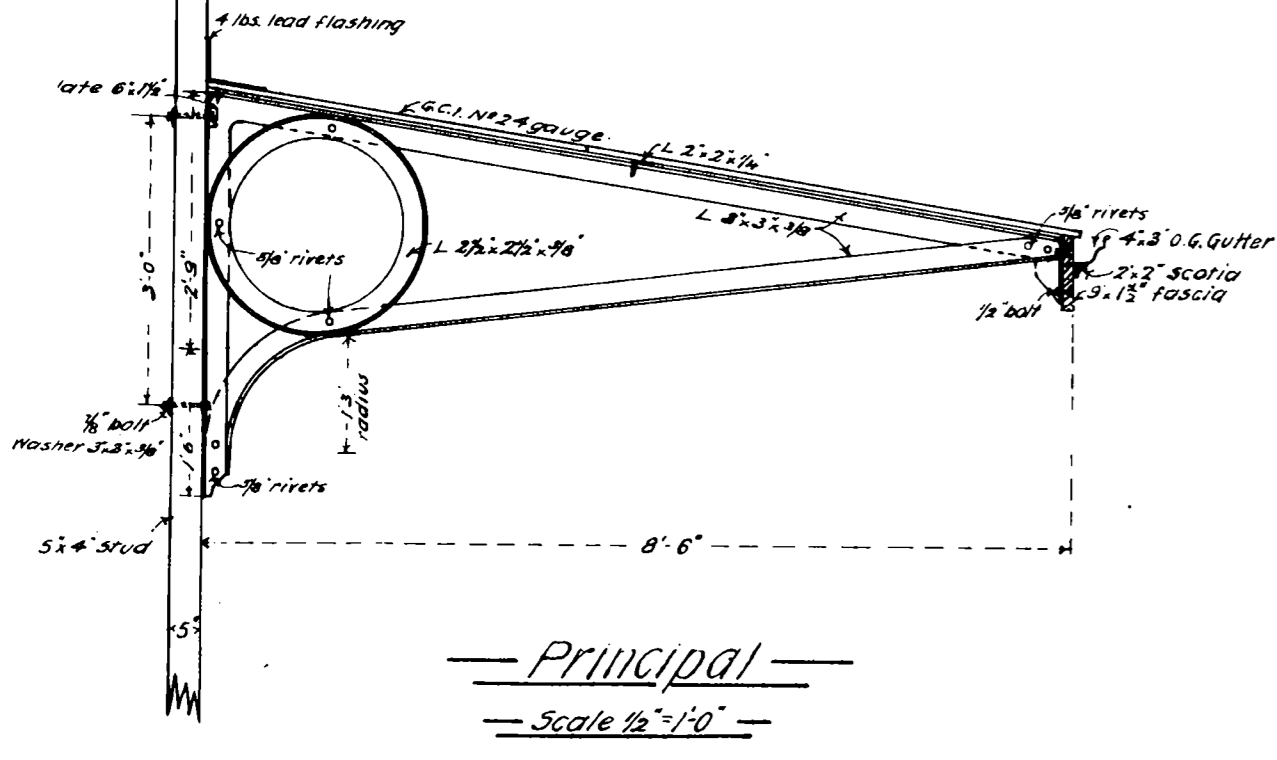


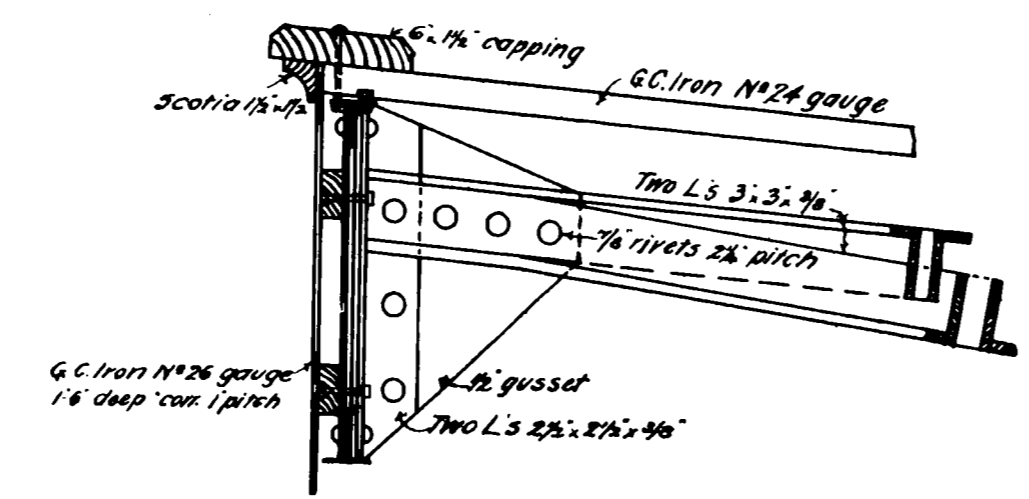
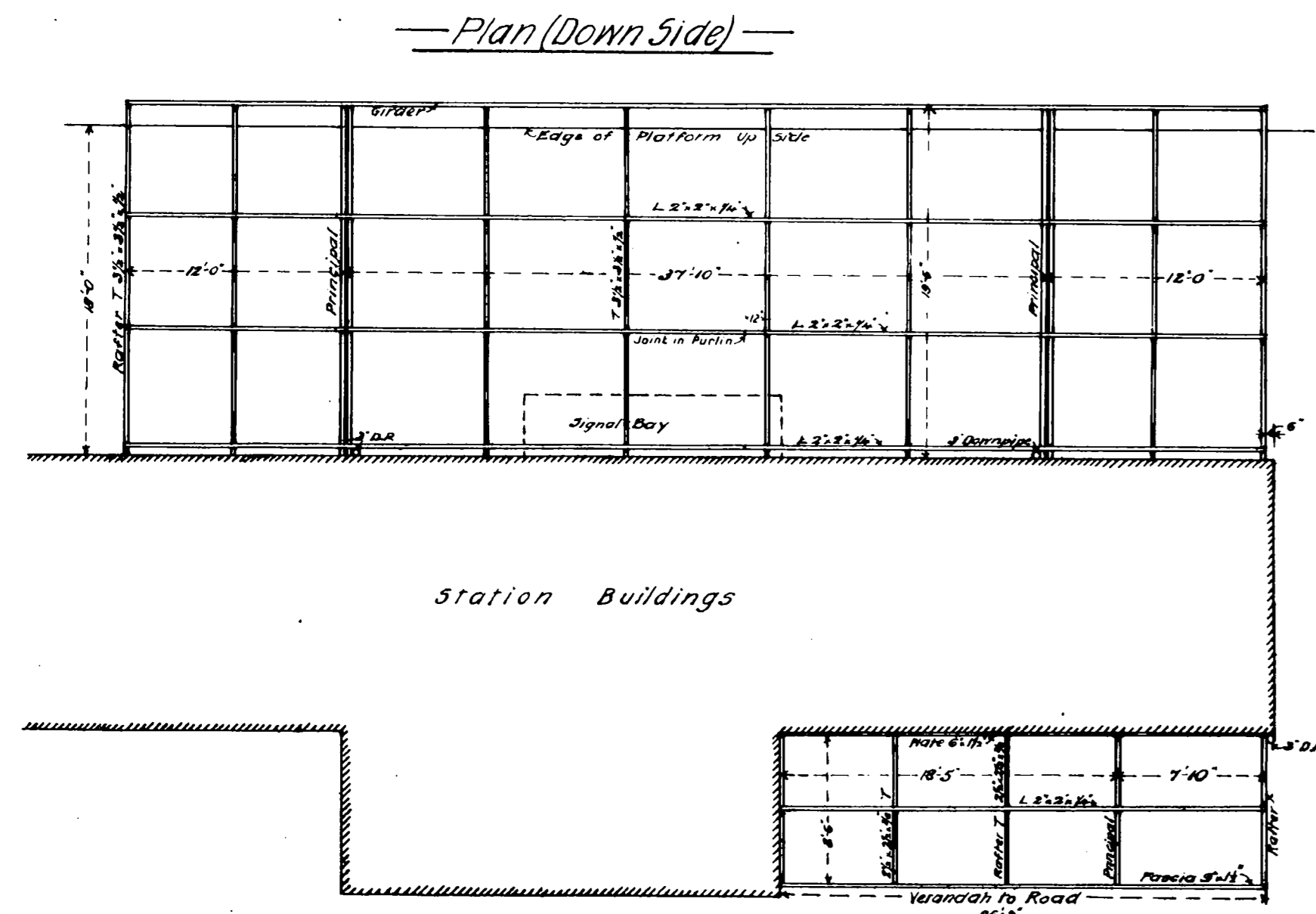
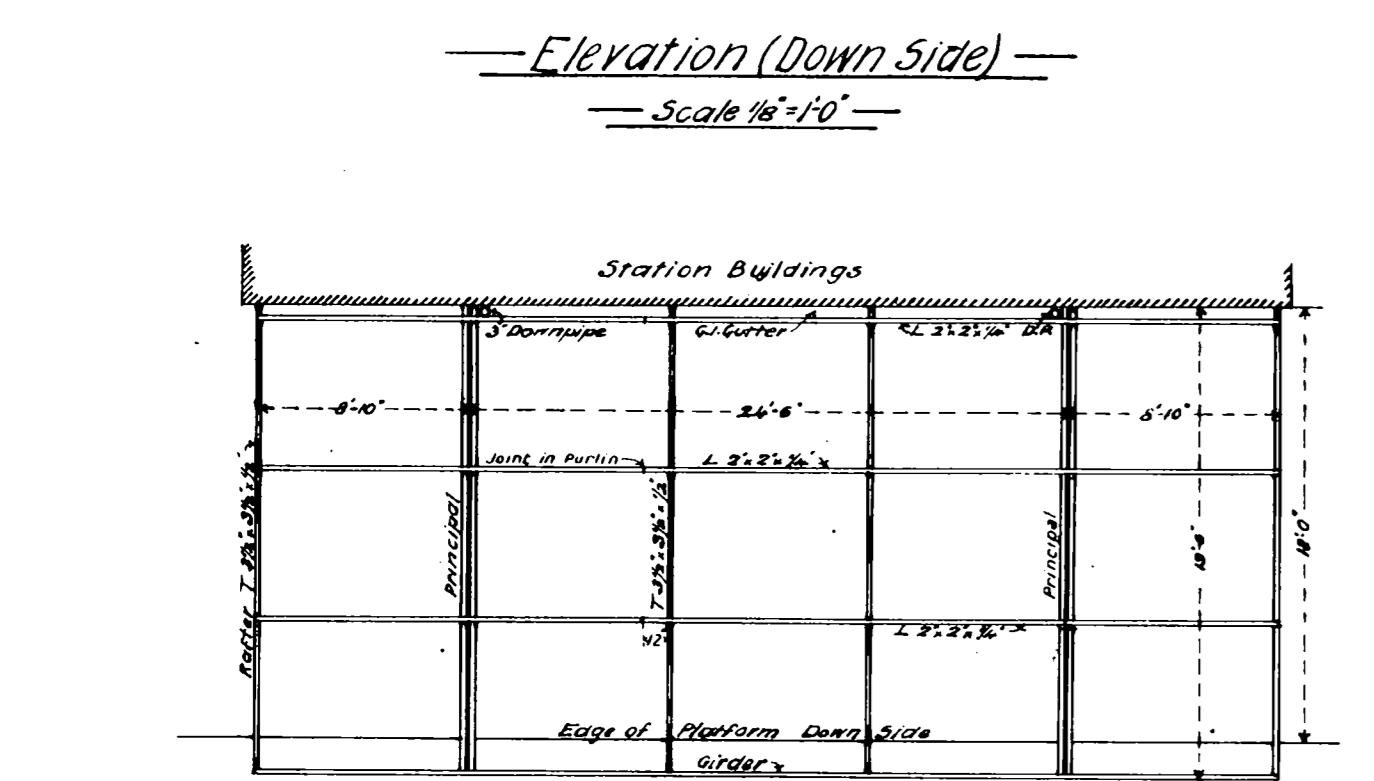
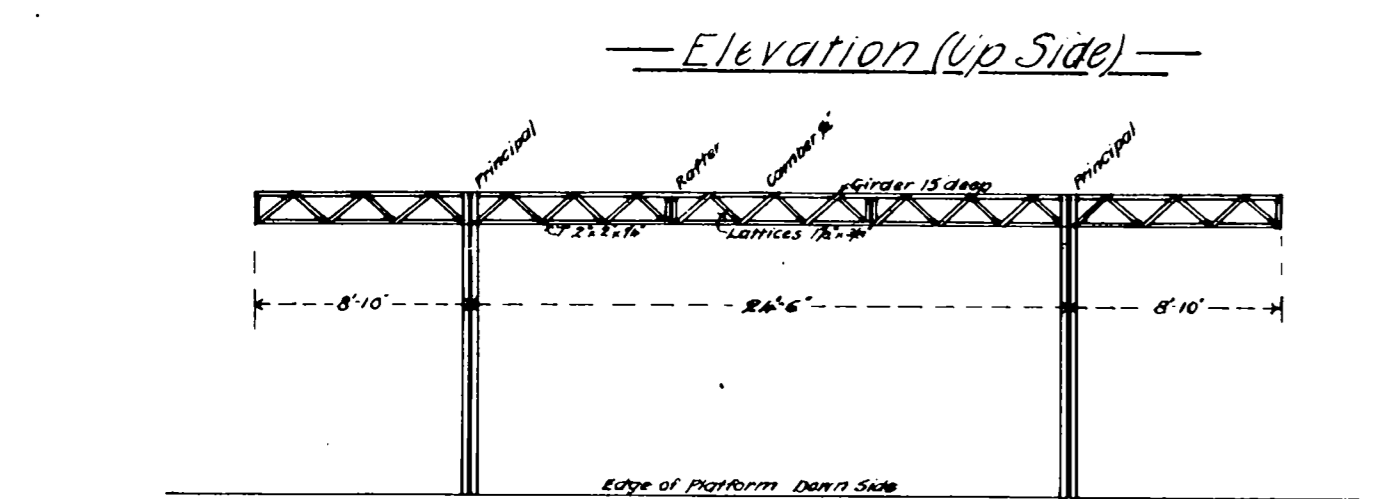
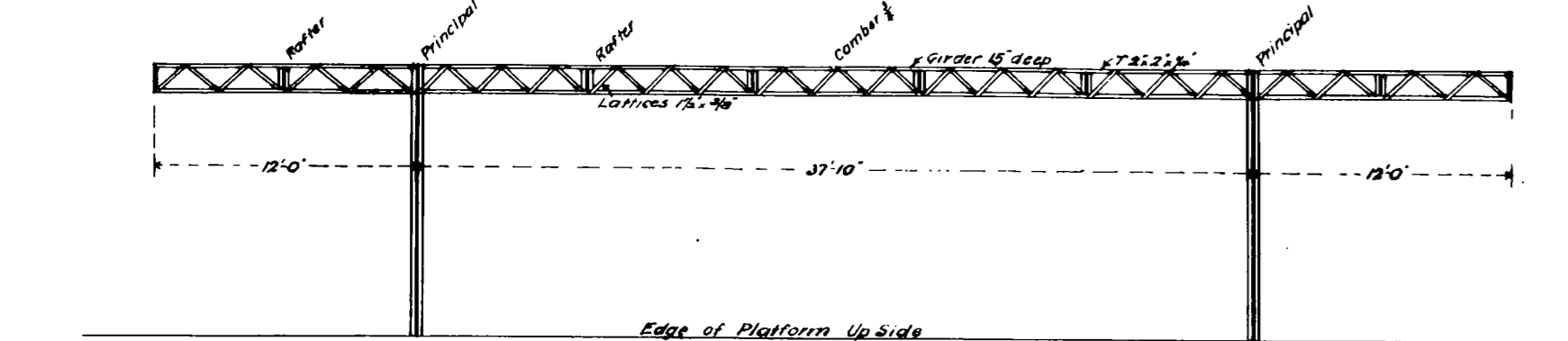
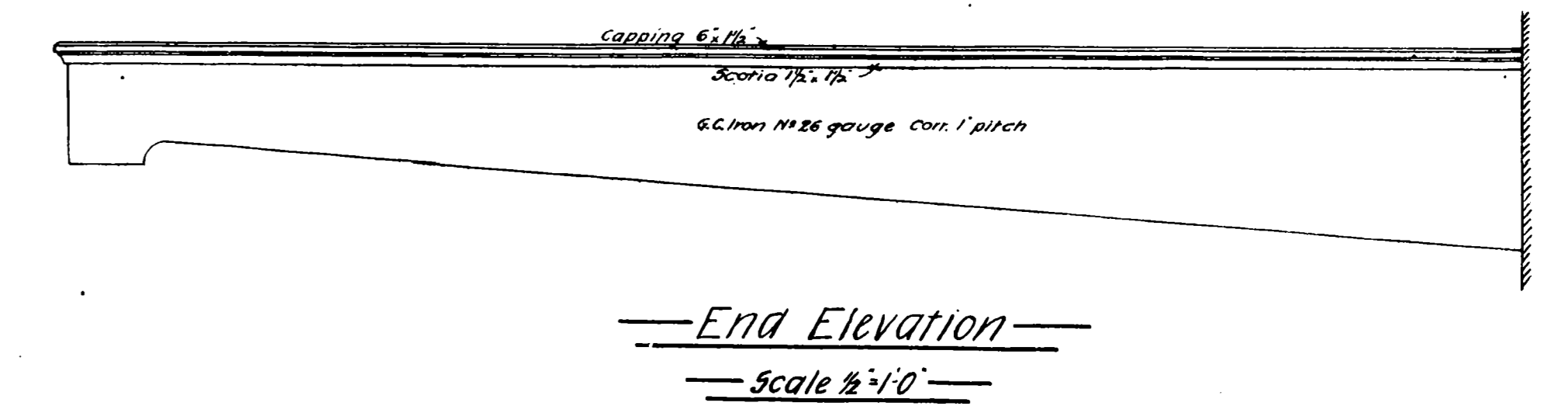
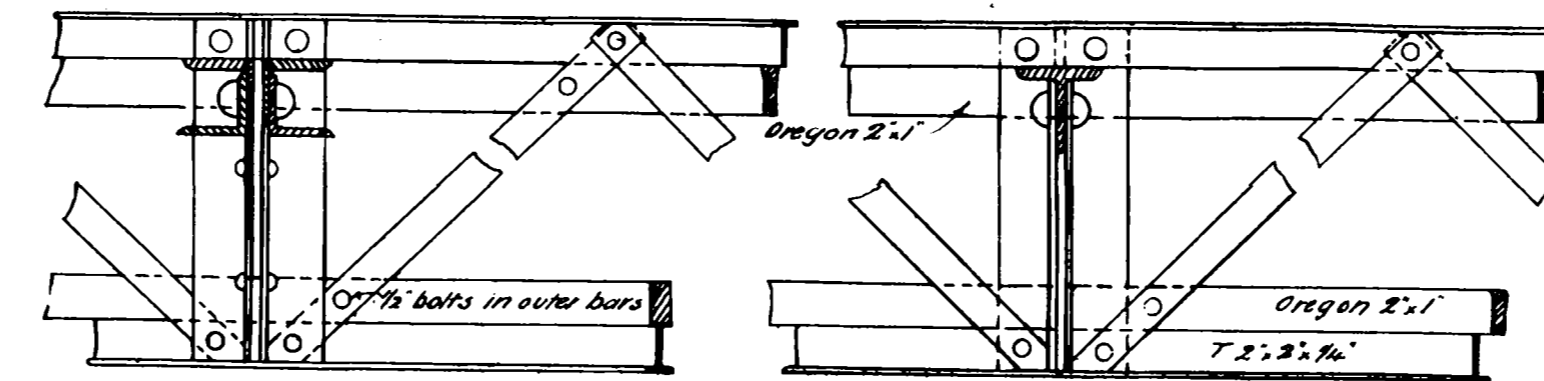
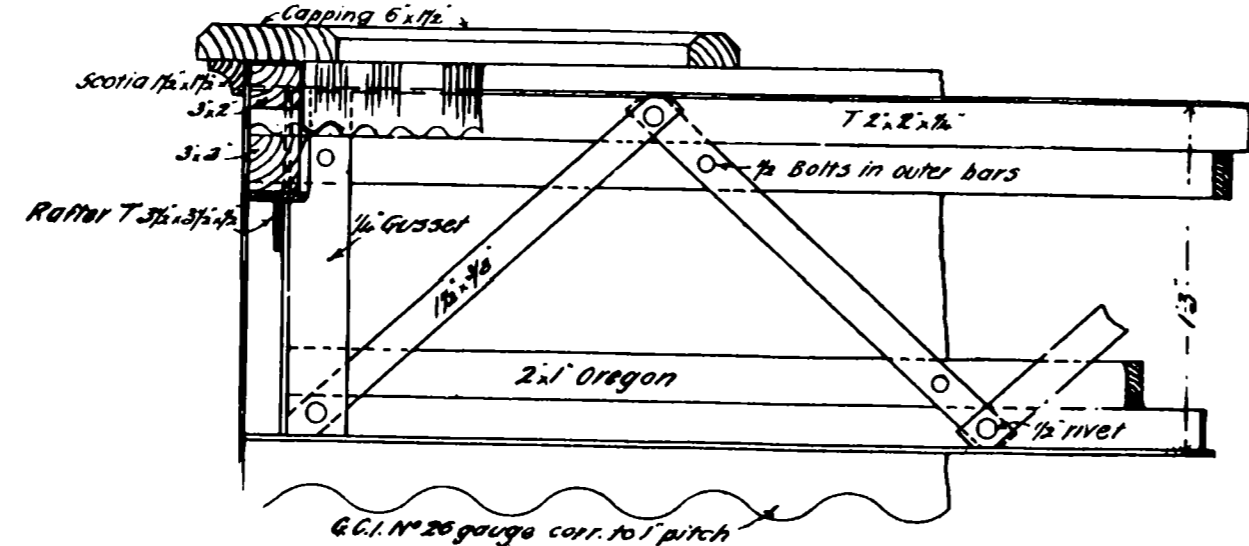
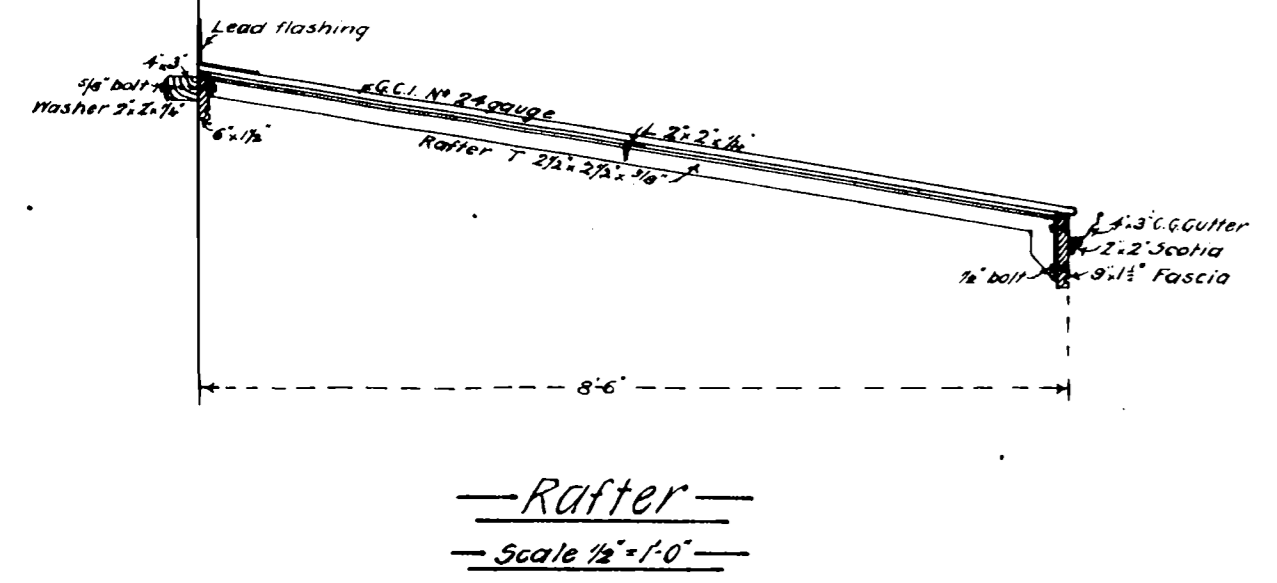
VICTORIAN RAILWAYS SUNBURY NEW STATION BUILDINGS VERANDAHS

CONTRACT N^o 19687.
N^o 3.

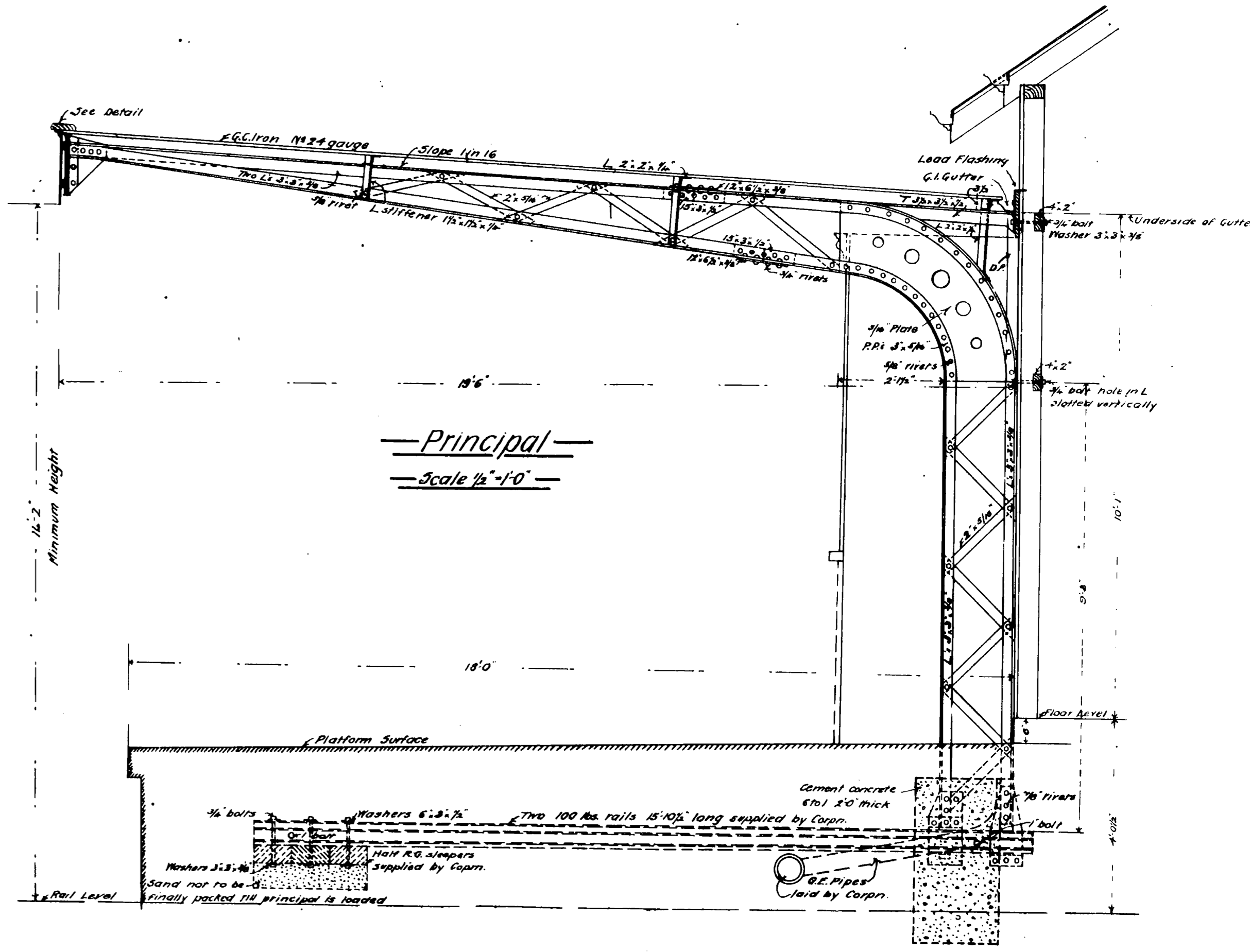
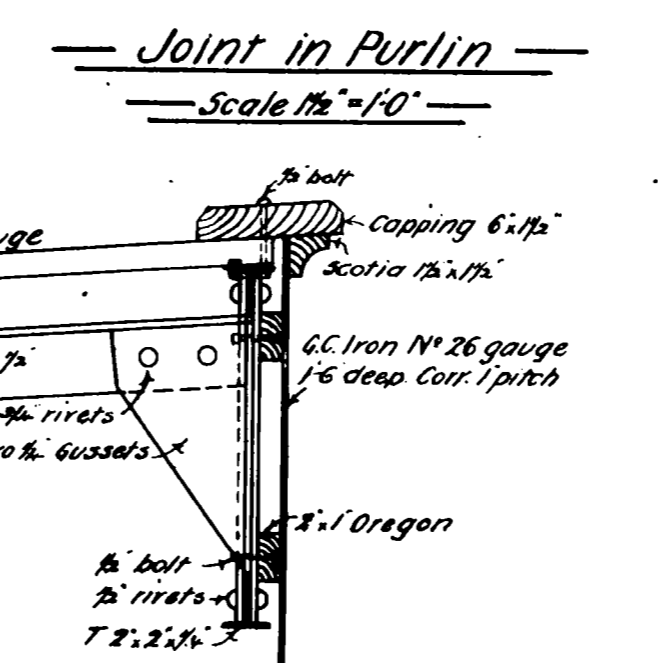
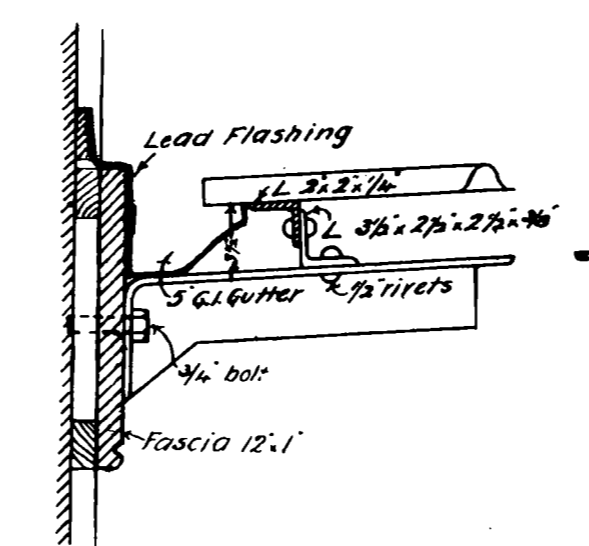
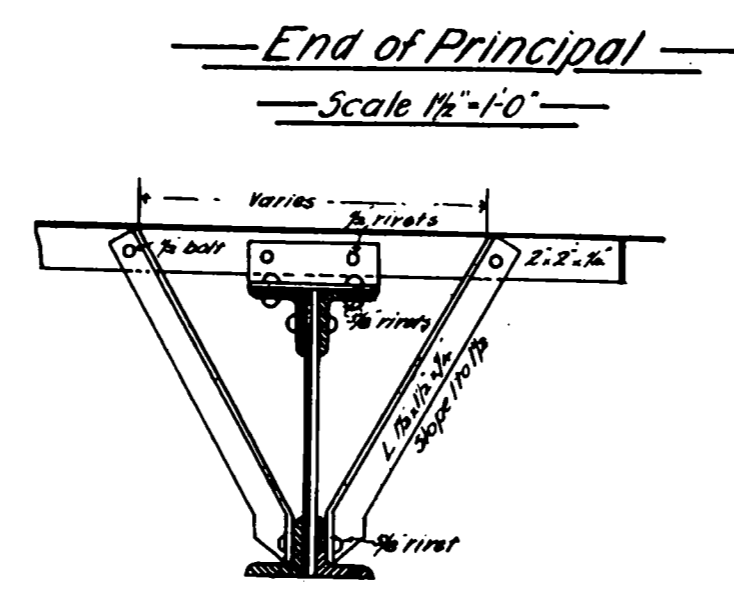
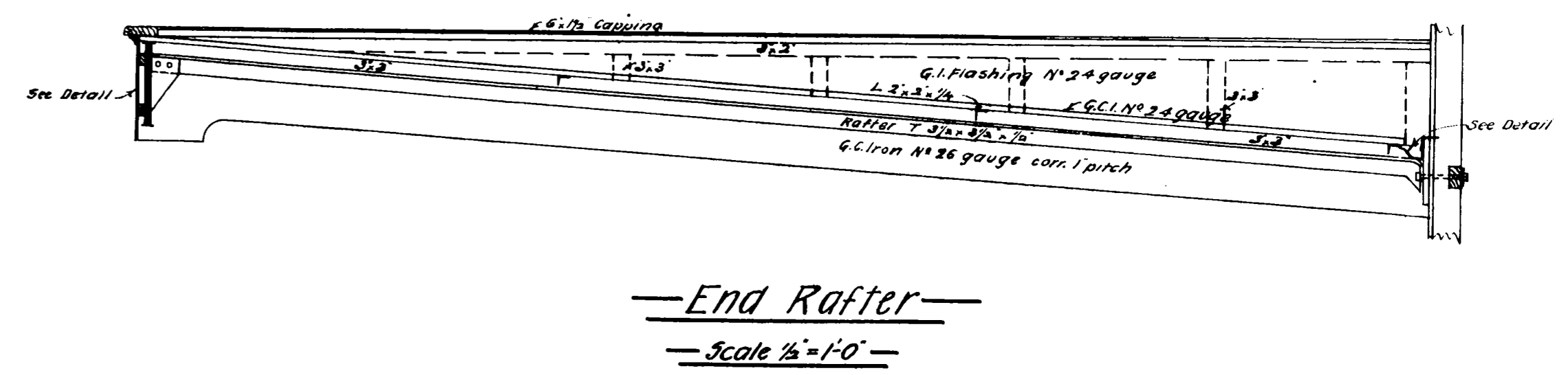
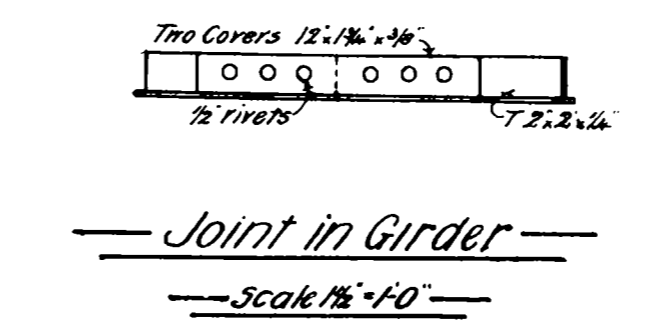
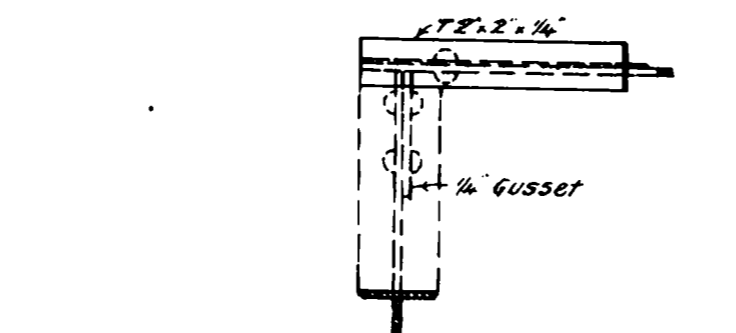
Handwritten signature and date: 22/12/19



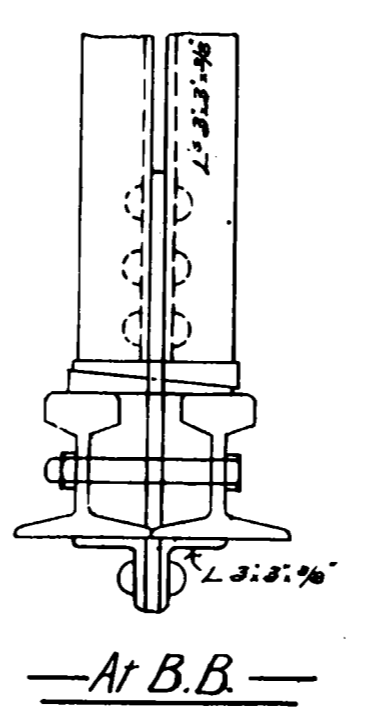
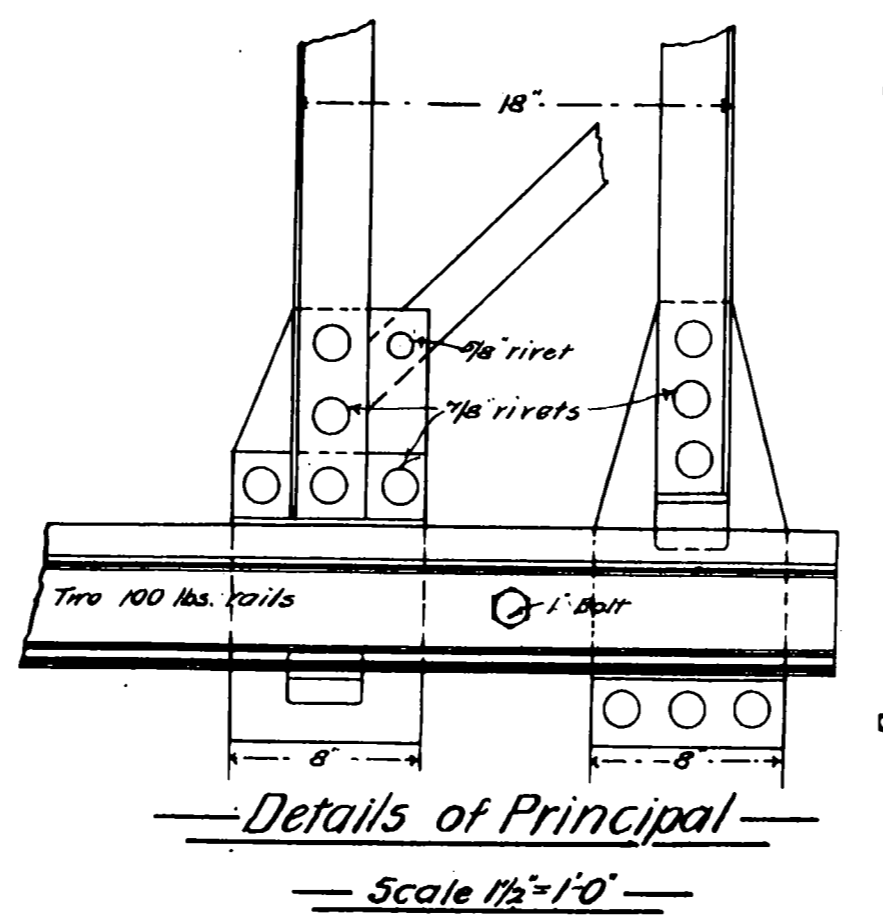
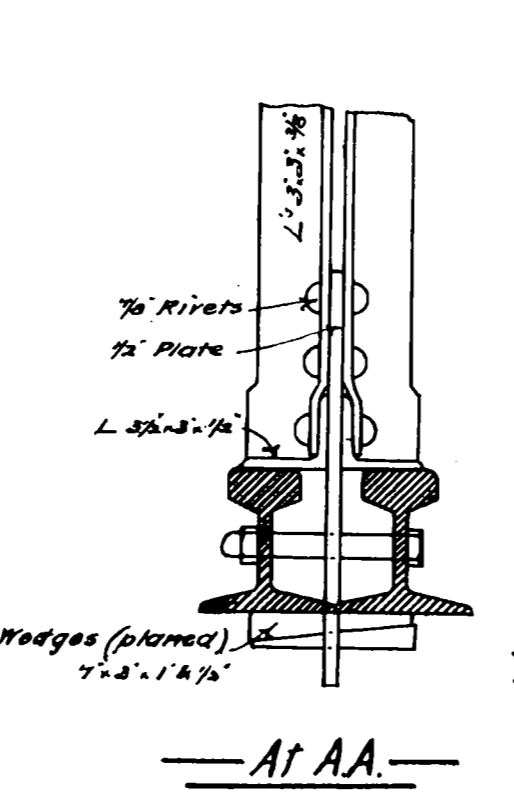
—Verandah to Road—



—Details of Girder and Screen—
—Scale 1/2"=1'-0"—



PLAN ROOM
COPY



CHIEF ENGINEER OF WAY & WORKS' OFFICE
EXTRACTED FROM THE
CONTRACTORS' ROOM
RAILWAY DEPARTMENT

Handwritten signature and date: 22. 12. 9.

Handwritten signature and date: 10th Jan 1910

RAILWAY DEPARTMENT MELBOURNE DEC 1909

VICTORIAN RAILWAYS
R
27/3/10
Date
1910