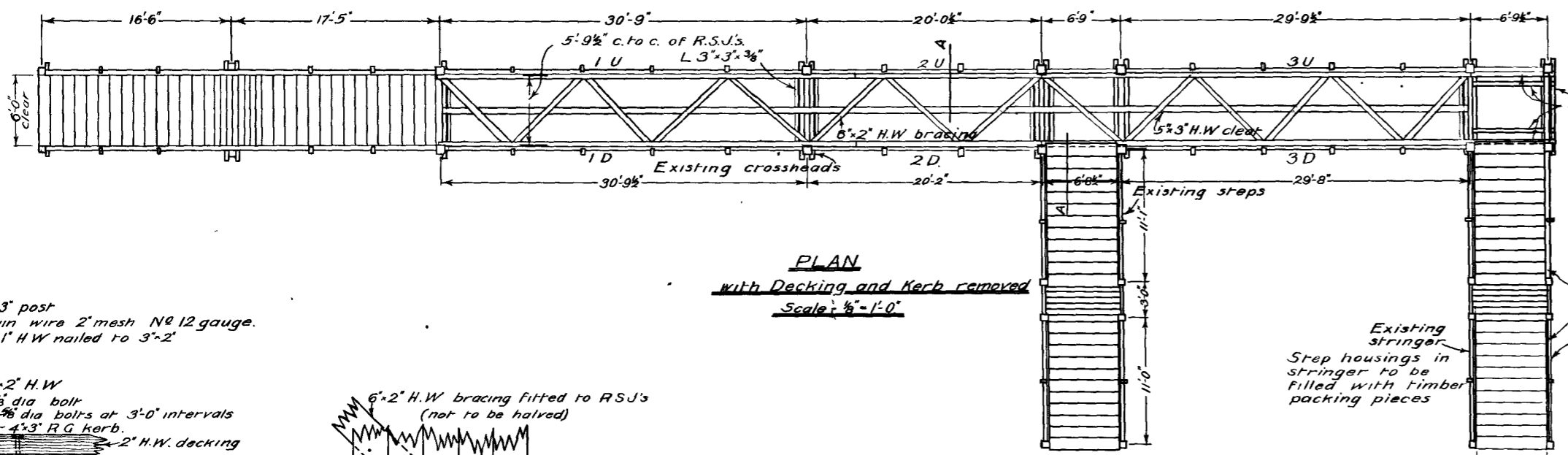
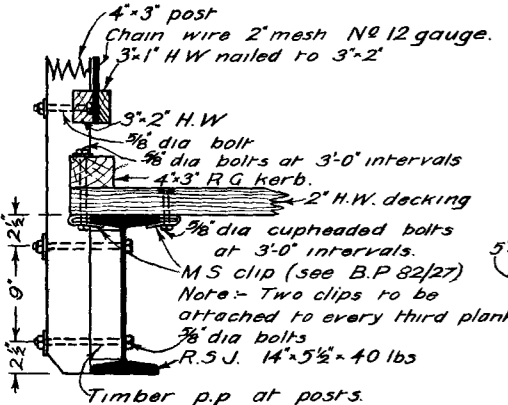


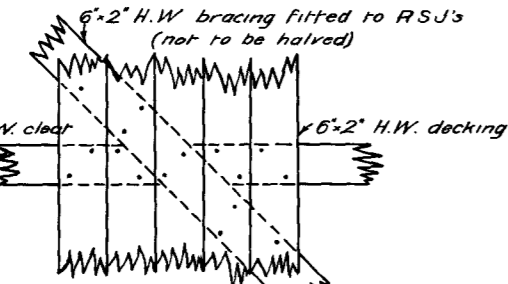
ELEVATION
 Scale - 1/4" = 1'-0"



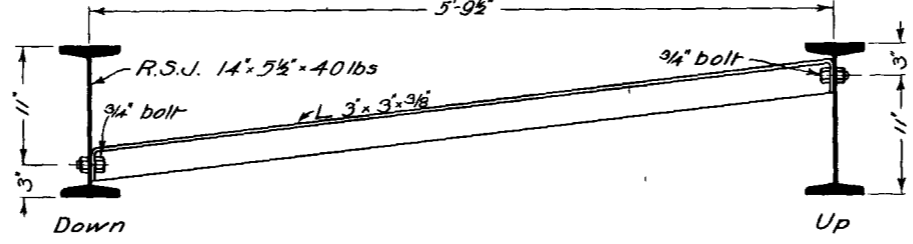
PLAN
 with Decking and Kerb removed
 Scale: 1/4" = 1'-0"



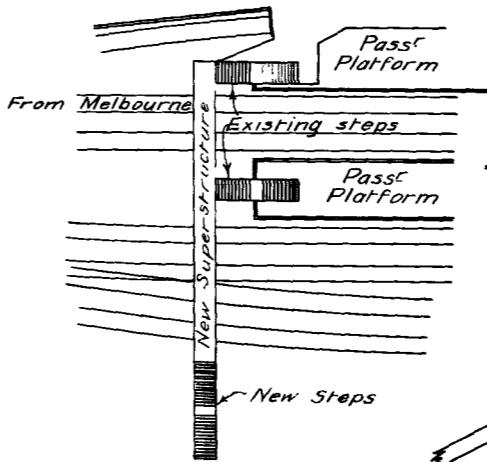
DETAIL 'A'
 Scale - 1" = 1'-0"



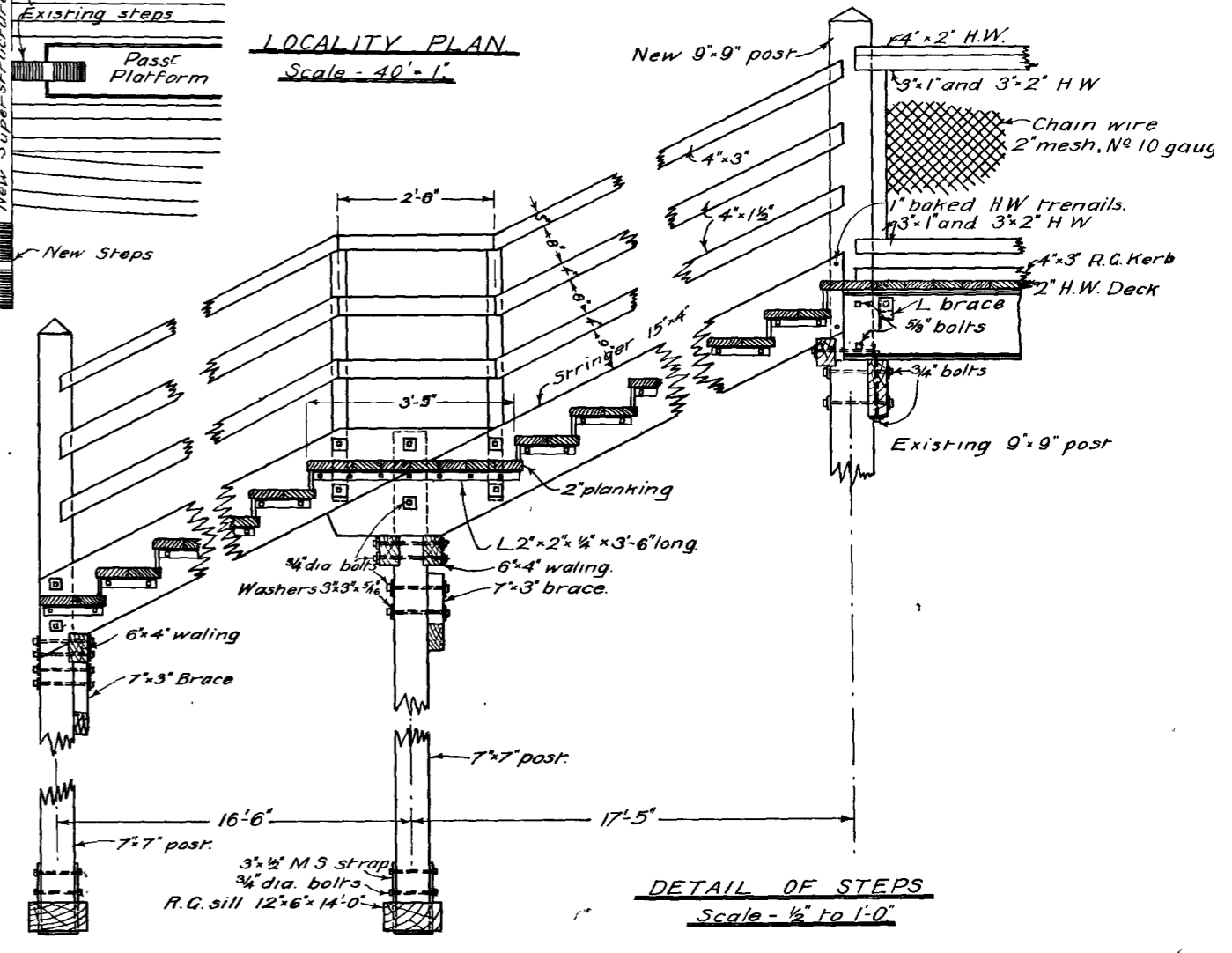
DETAIL OF H.W. BRACING
 Scale - 3/4" = 1'-0"



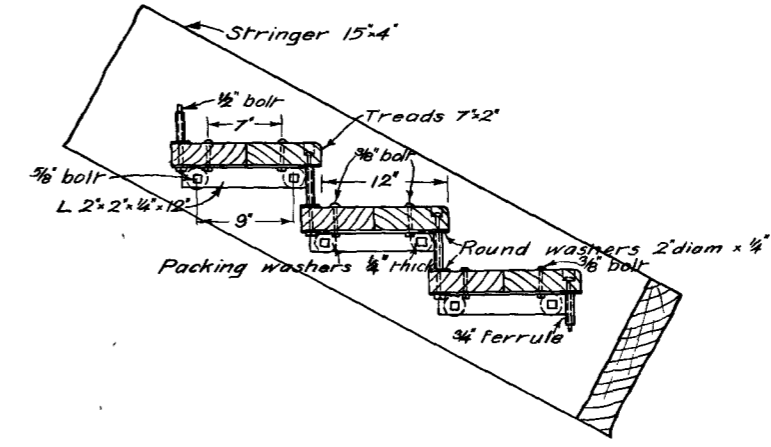
DETAIL OF ANGLE BRACING
 Scale - 1" = 1'-0"
 5 OFF.



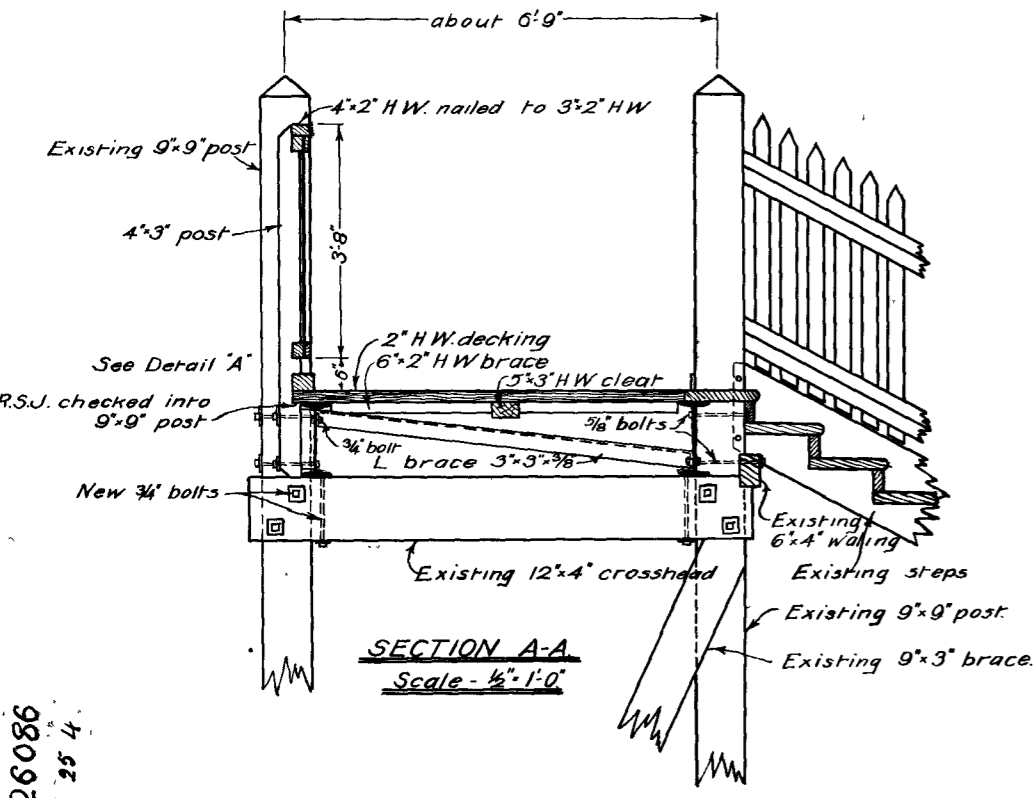
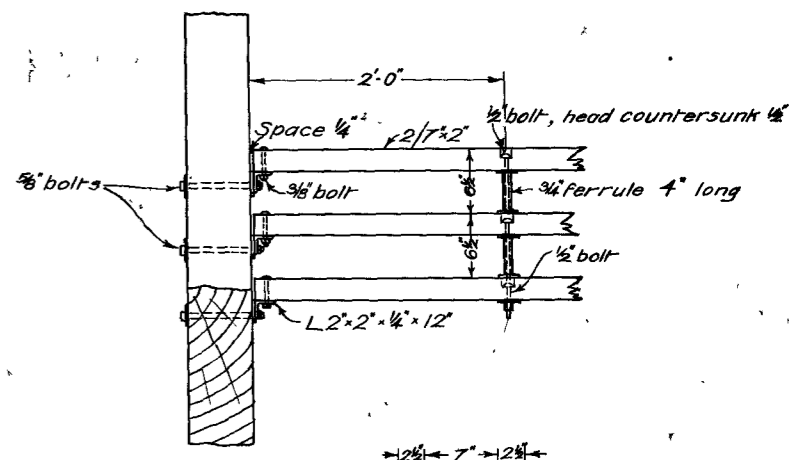
LOCALITY PLAN
 Scale - 40' = 1"



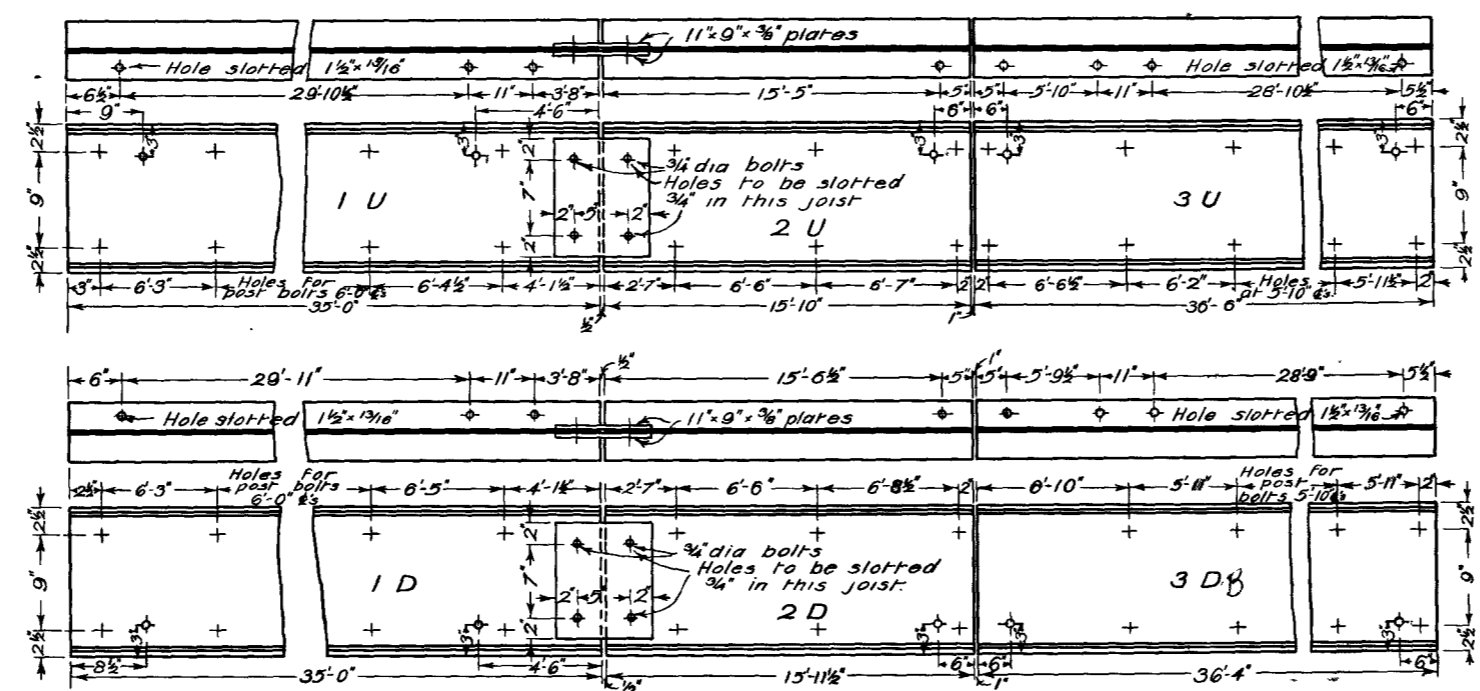
DETAIL OF STEPS
 Scale - 1/2" to 1'-0"



DETAIL OF STEPS
 Scale - 1" = 1'-0"



SECTION A-A
 Scale - 1/2" = 1'-0"



DETAIL OF R.S.J. 14" x 5 1/2" x 40 lbs.
 Not to scale
 1 off each

Note - 1/16" dia. holes shown thus +
 13/16"
 unless otherwise stated.
 Joists to be marked by Contractor as shown

V.R.
TALLAROOK
 RENEWAL OF FOOTBRIDGE
 AT STATION

J. M. Usher, M. E. (S. S. 2)
 Chief Engineer of Way and Works

Drawn by R.S.M.	Corres. No 30/2228 1938	Struct. Eng.	Drawer No B 10 60
			Plan No 185. 30

26086
 K 25 4