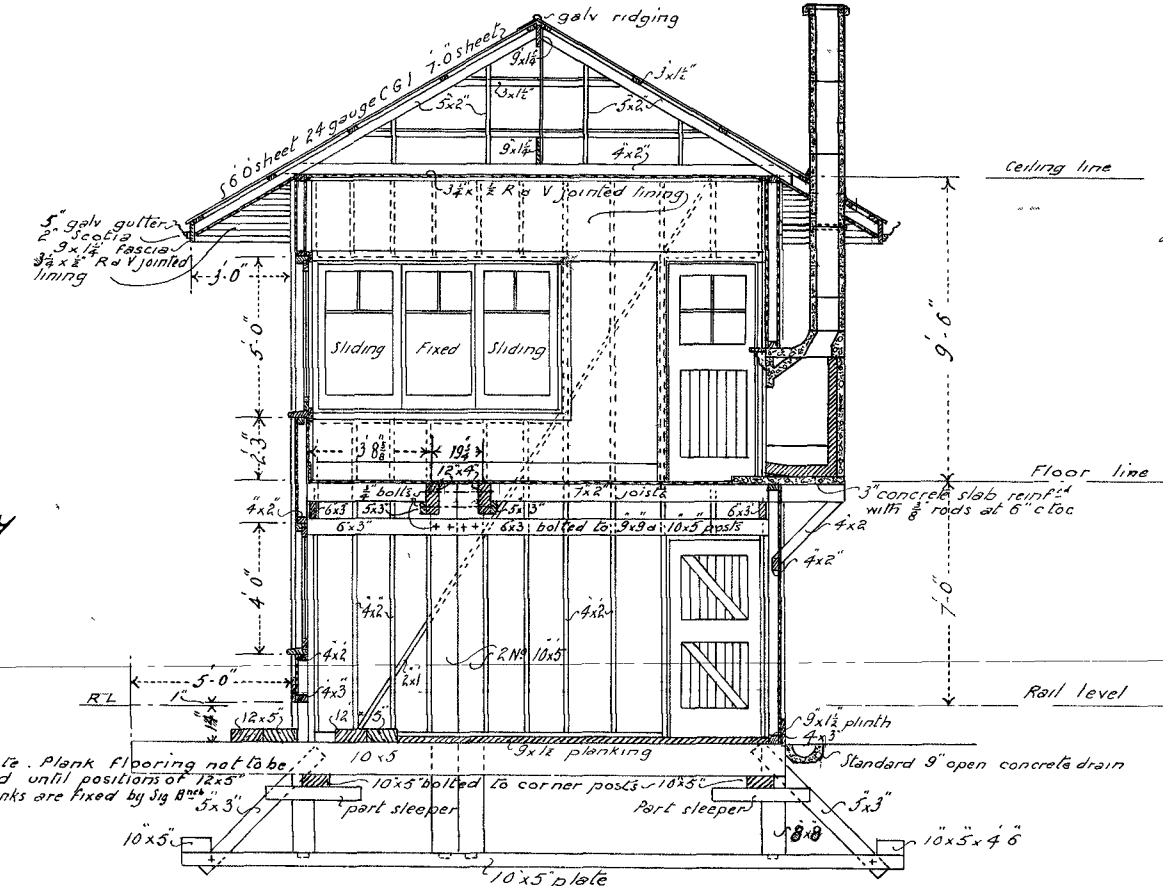
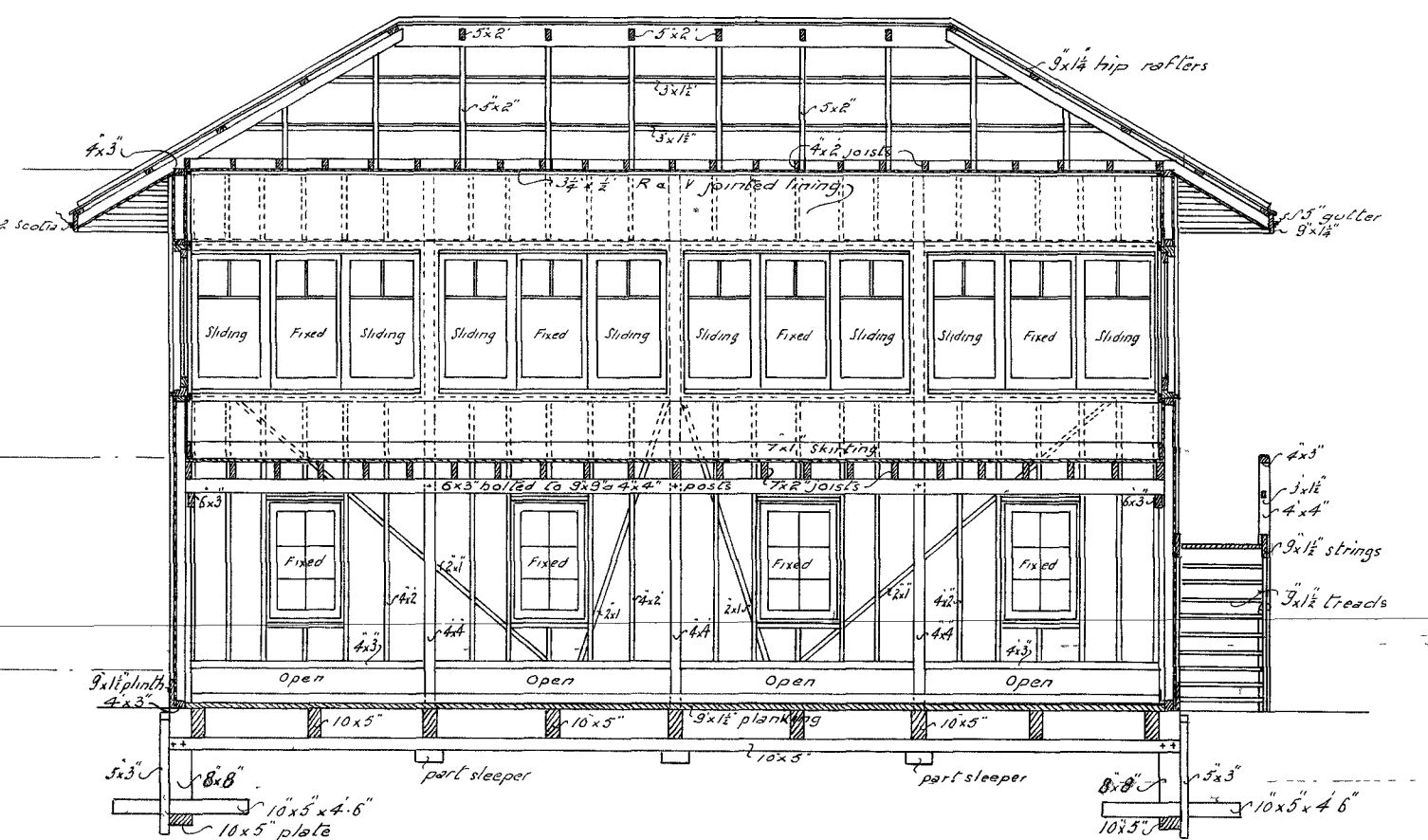


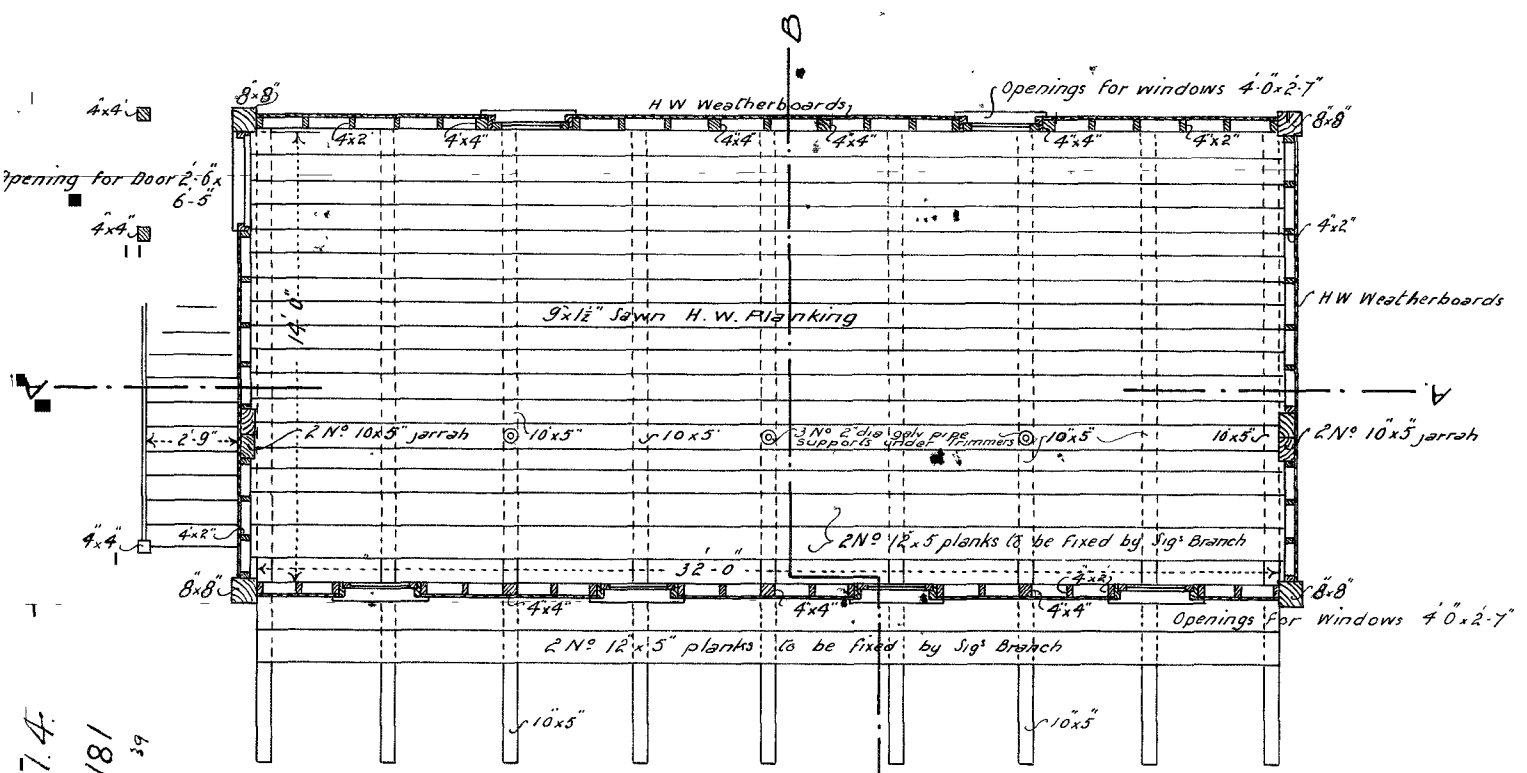
UPPER FLOOR PLAN



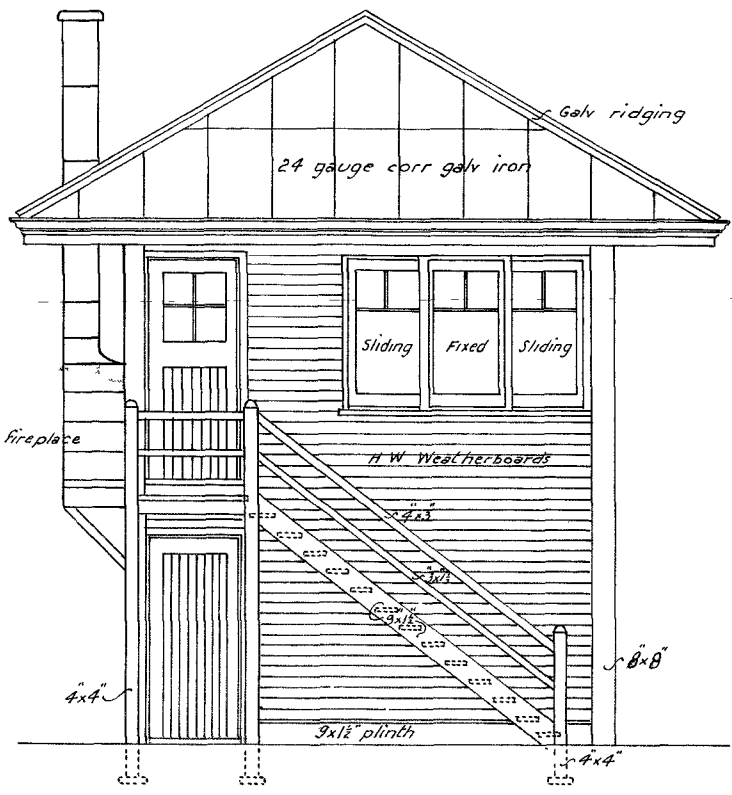
SECTION B-B



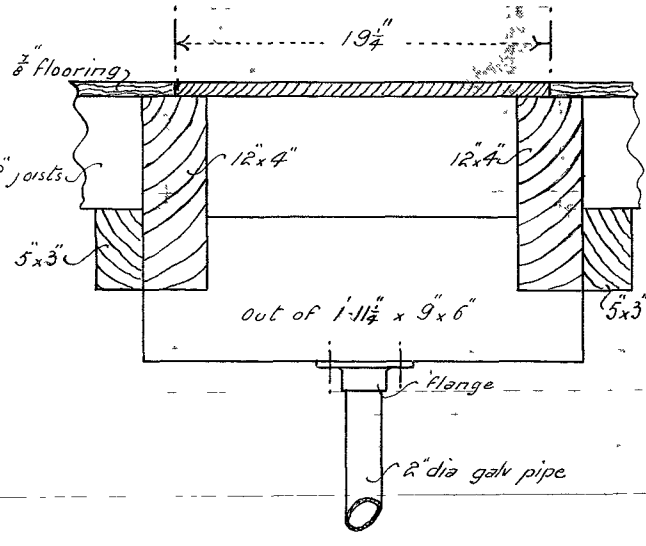
SECTION A-A



LOWER FLOOR PLAN



END ELEVATION



DETAIL OF SUPPORTS TO TRIMMER BEAMS, POSITIONS TO BE FIXED BY SIG'S BRANCH
1/2" Scale.

NOTES: All structure timbers to be in Hardwood those on or below ground level to be in Jarrah or Red Gum. Floors, linings & Weatherboards in Hardwood. 12x4 Trimmers to lever opening in Oregon. Staircase in Jarrah.

Chief Engineer of Sigs & Tele.

V-R
EAGLEHAWK
NEW SIGNAL BOX
Scale 1/4" = 1'-0"

M. Schwartz
Chief Engineer of Way & Works
11. 11. 29

Drawn by P.H.R.	Checked by T.P.R.	Forces No 8064/125 3648/125	<i>M. Swaine</i> Chief Architect
		B-161 A-64	PLAN No 306-29

K.T.F.
2/18/1
25-8-29