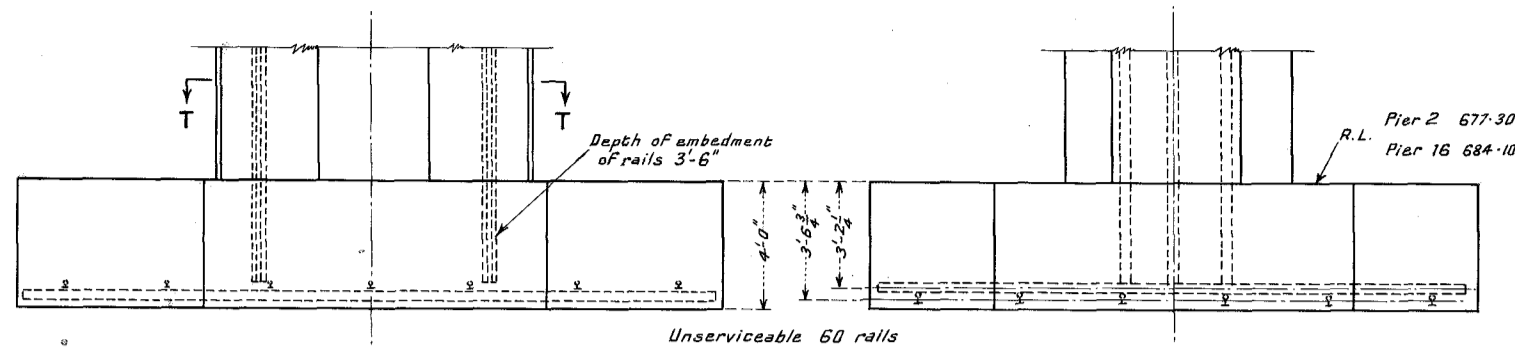


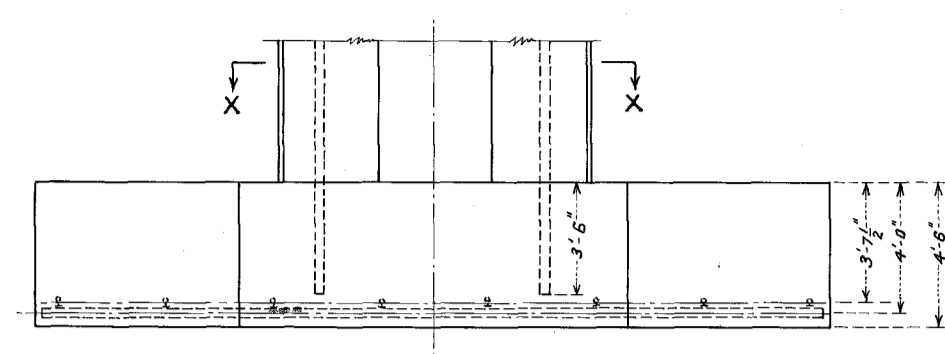
BOARD OF LAND & WORKS  
RAILWAY CONSTRUCTION BRANCH

2932W



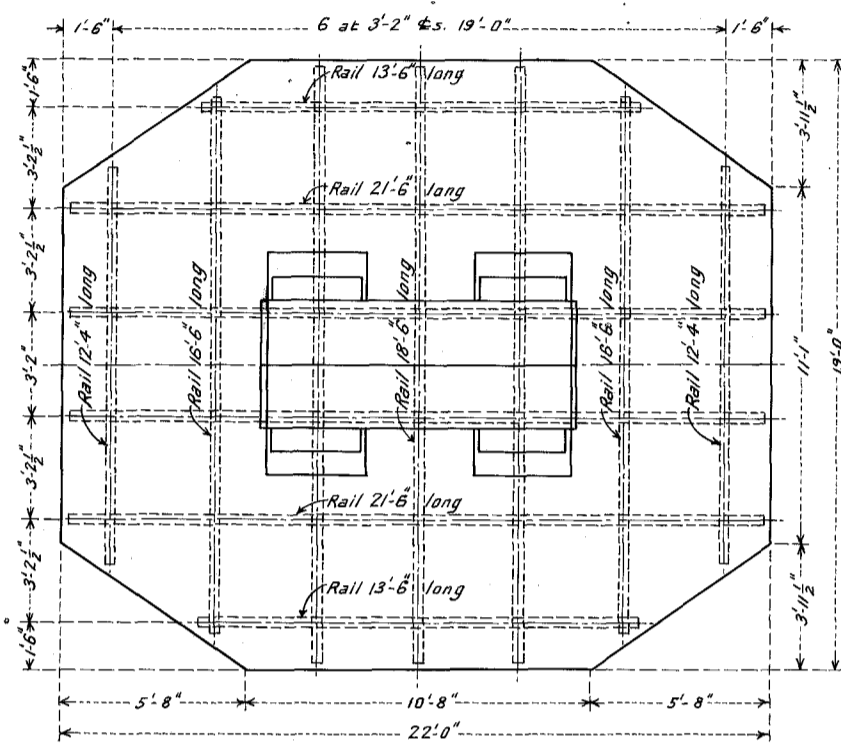
ELEVATION

END ELEVATION



ELEVATION

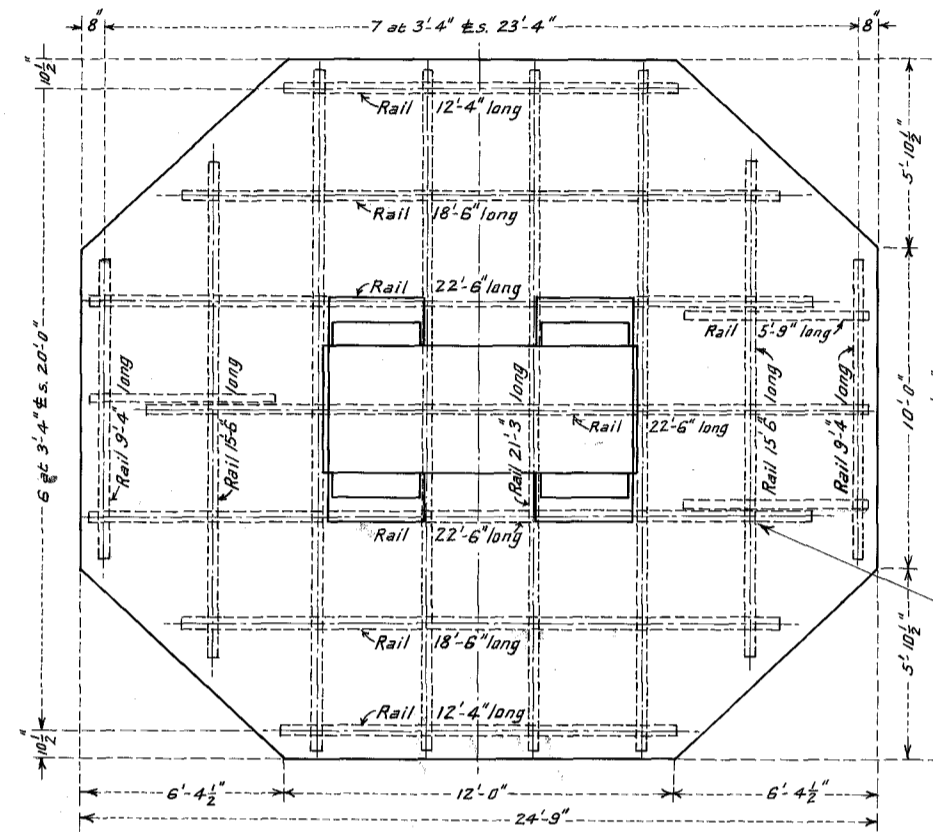
END ELEVATION



PLAN

PIERS 2 & 16

NOTE: For further details of these piers see Drawing No 34/4104

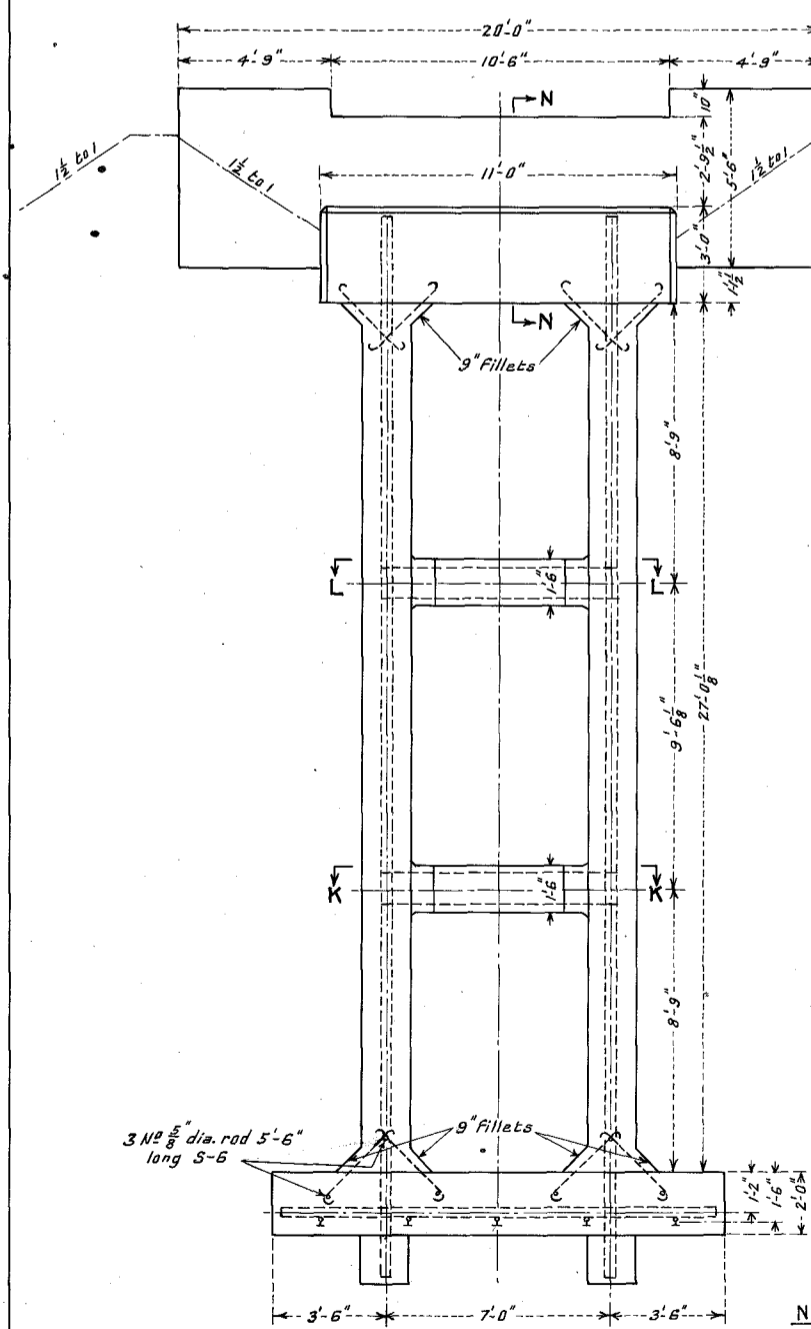


PLAN

PIERS 3-15

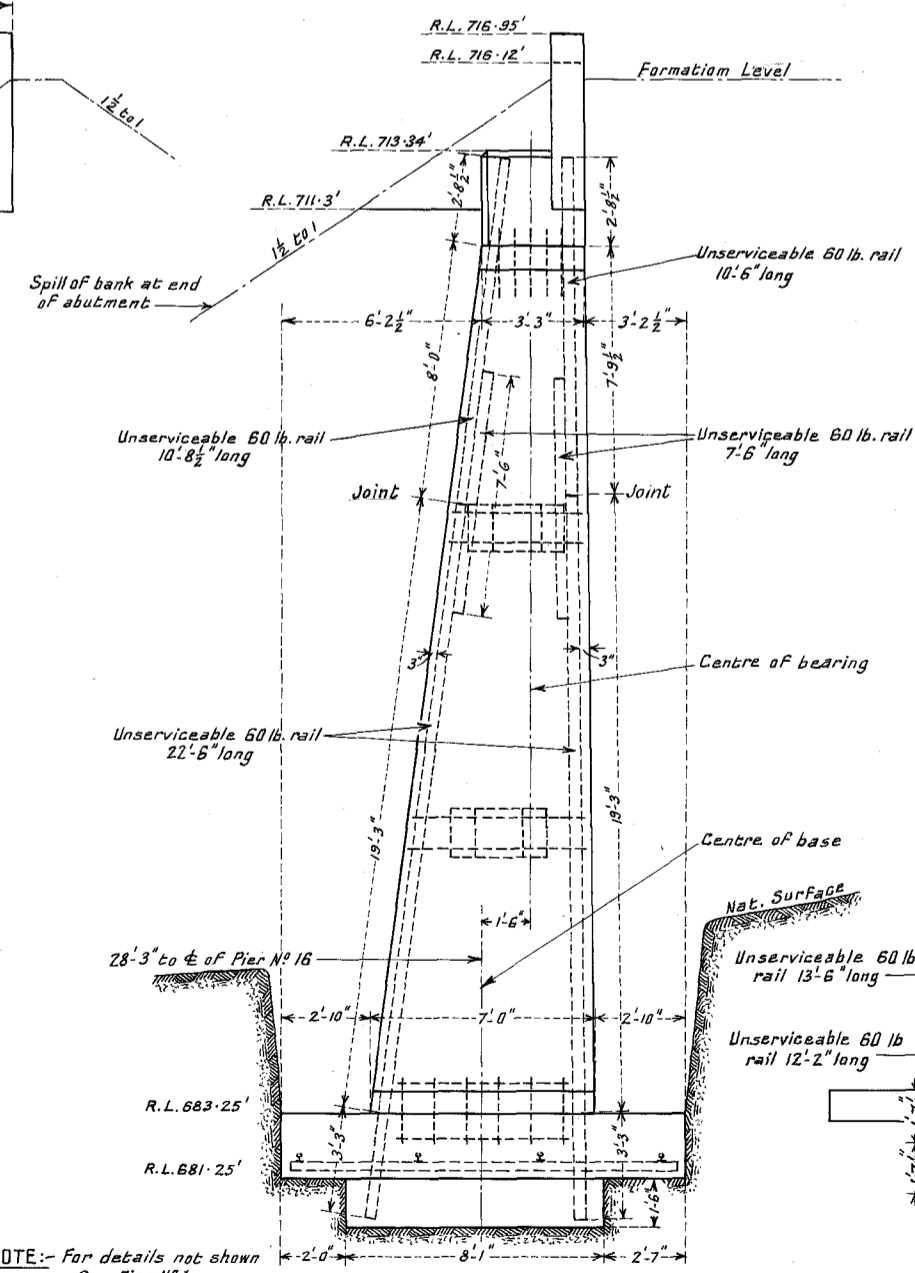
(WHERE SPREAD FOOTING WITHOUT PILES IS ORDERED)

NOTE: For further details of these piers see Drawing No 34/4104



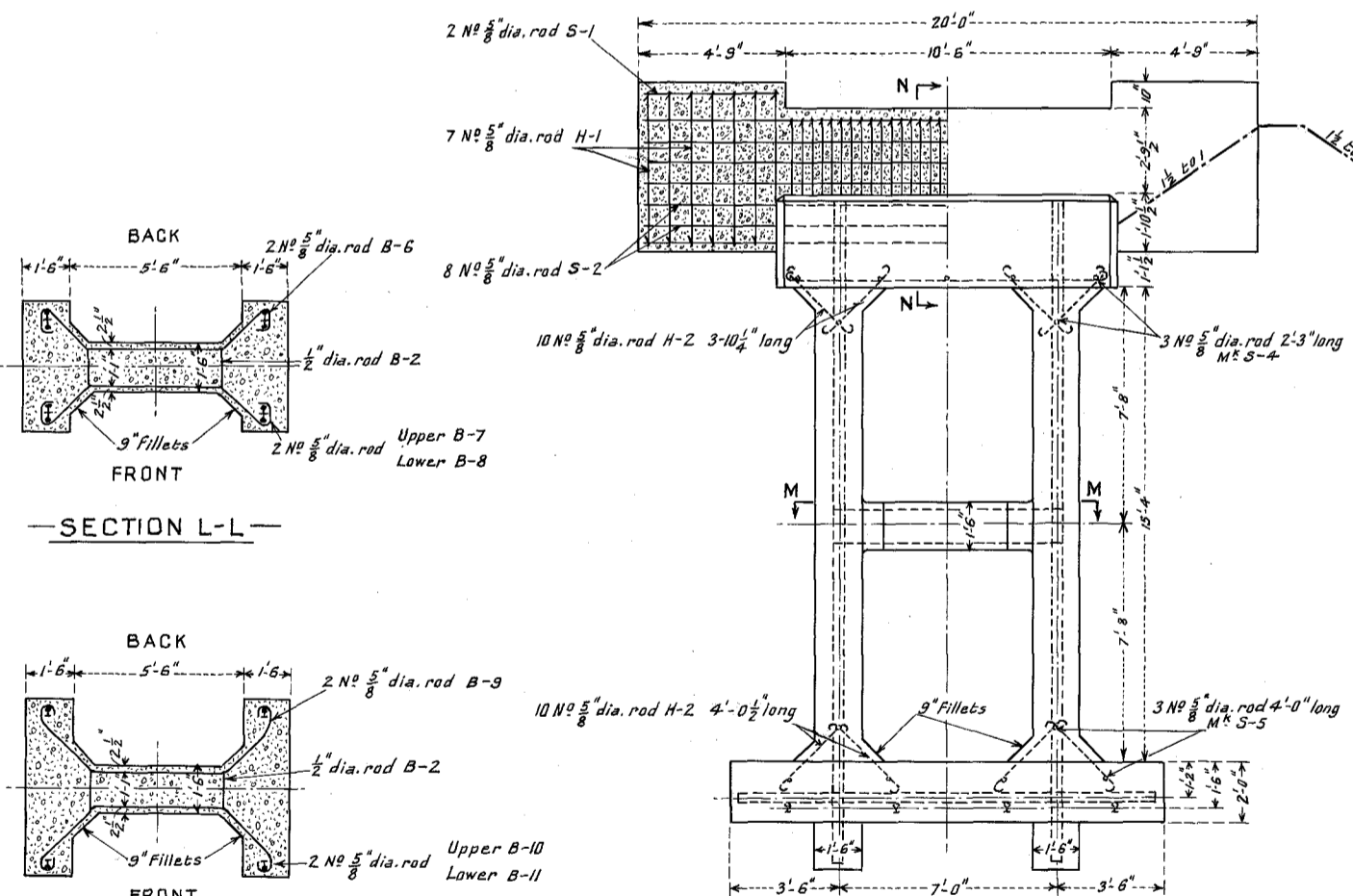
ELEVATION (LOOKING WEST)

NOTE: For details not shown see Pier No 1



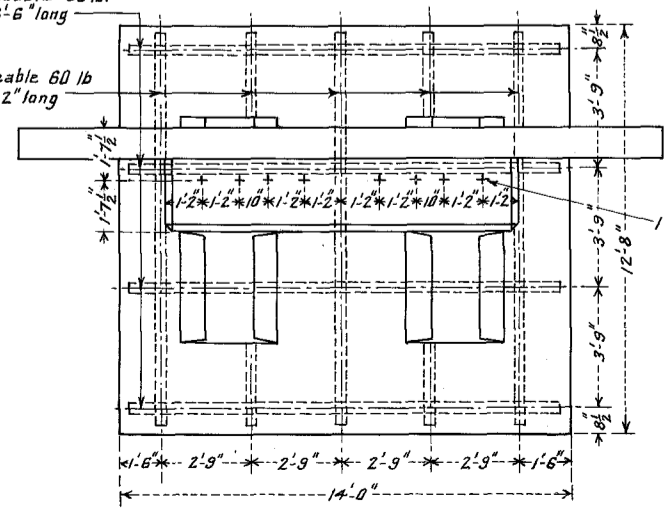
END ELEVATION

PIER 17

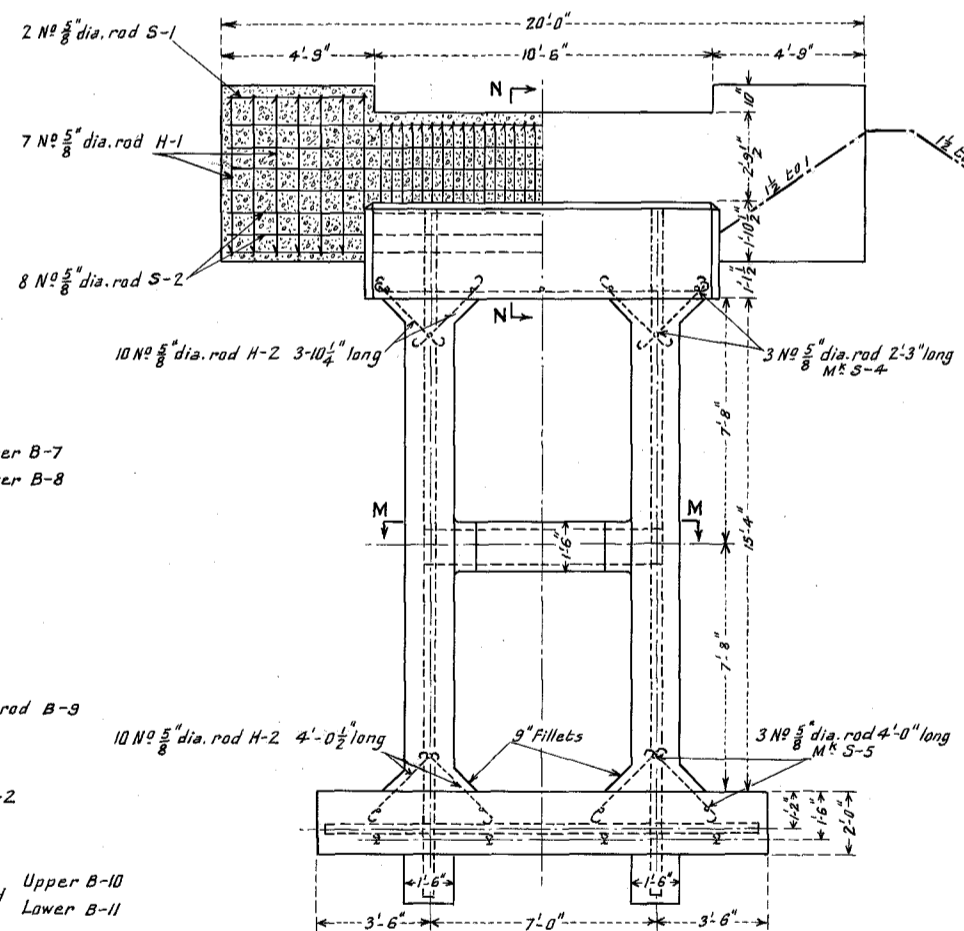


SECTION L-L

SECTION K-K

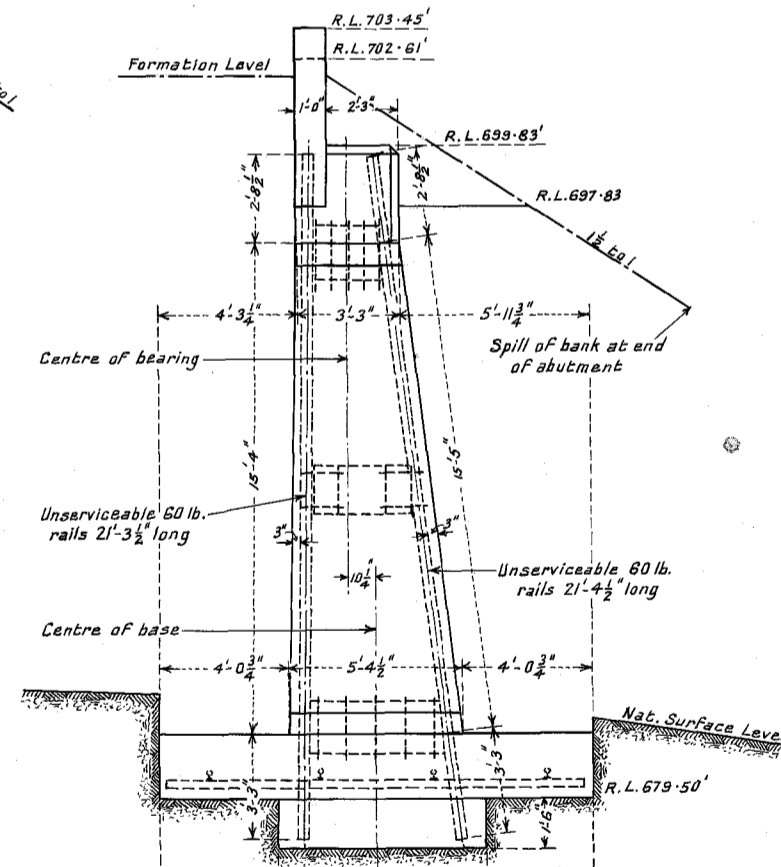


PLAN



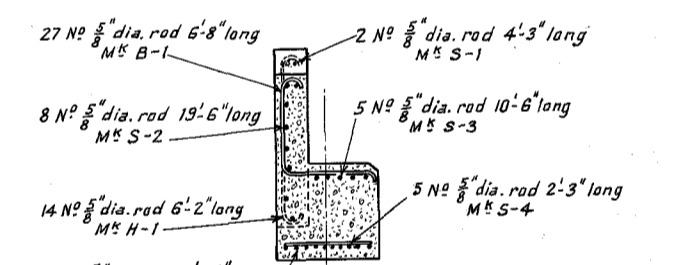
ELEVATION (LOOKING EAST)

PLAN

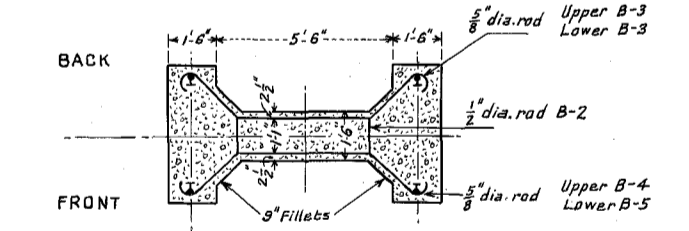


END ELEVATION

PIER 1



SECTION N-N



SECTION M-M

CASTLEMAINE TO MARYBOROUGH  
-DEVIATION AT JOYCE'S CREEK-  
-BRIDGE OVER JOYCE'S CREEK-  
-DETAILS OF SUBSTRUCTURE-  
-SHEET No 2-

SCALE: 1/4 Inch to 1 Foot

REVISIONS	LETTER	DATE	REMARKS	DRAWN BY	H. L. S.	CHEF ENGINEER
				TRACED	E. G. O.	 7-11-19
				CHECKED	A. S. A.	

DRAWING No 34/4167