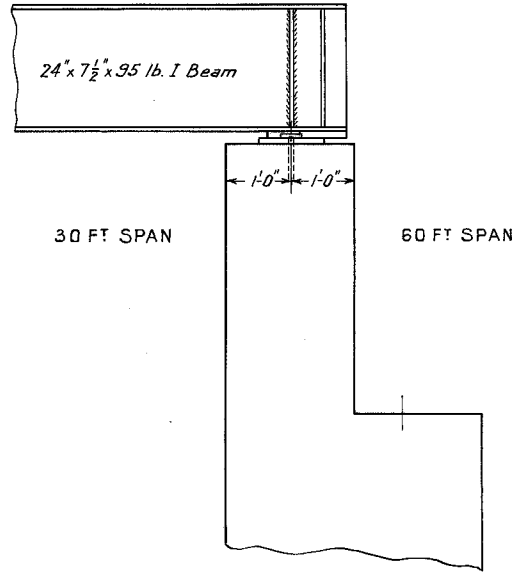
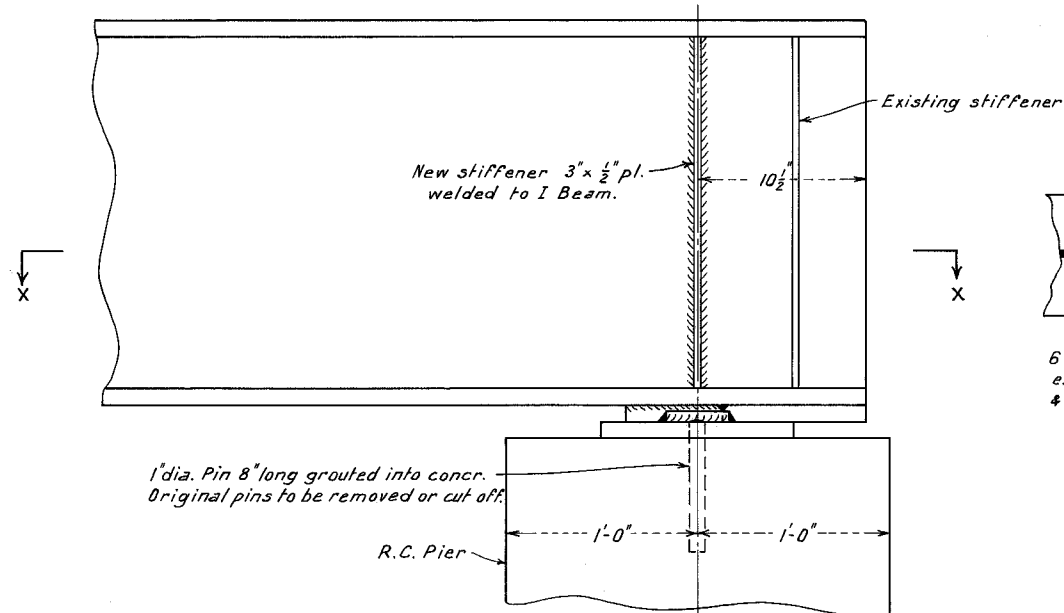


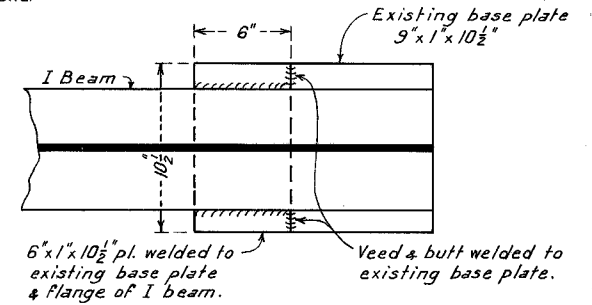
BOARD OF LAND & WORKS
RAILWAY CONSTRUCTION BRANCH



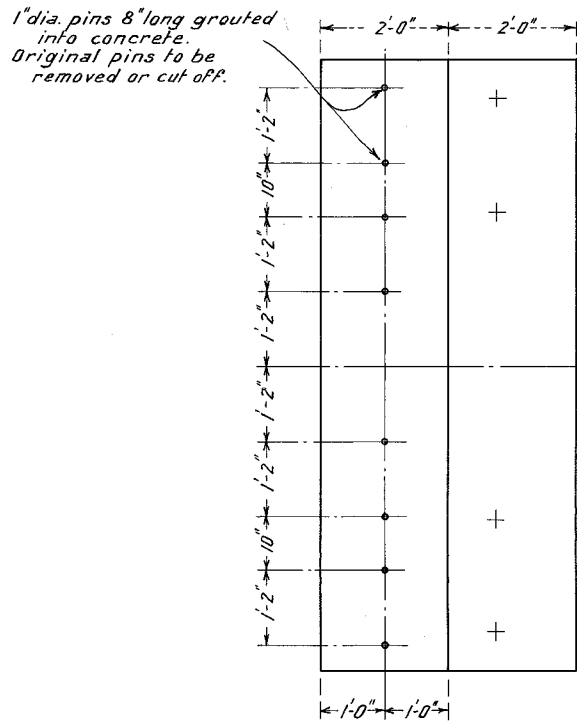
ELEVATION



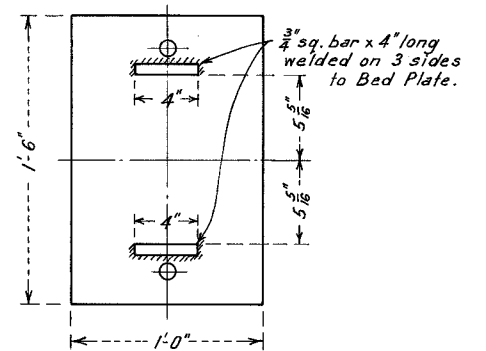
ELEVATION



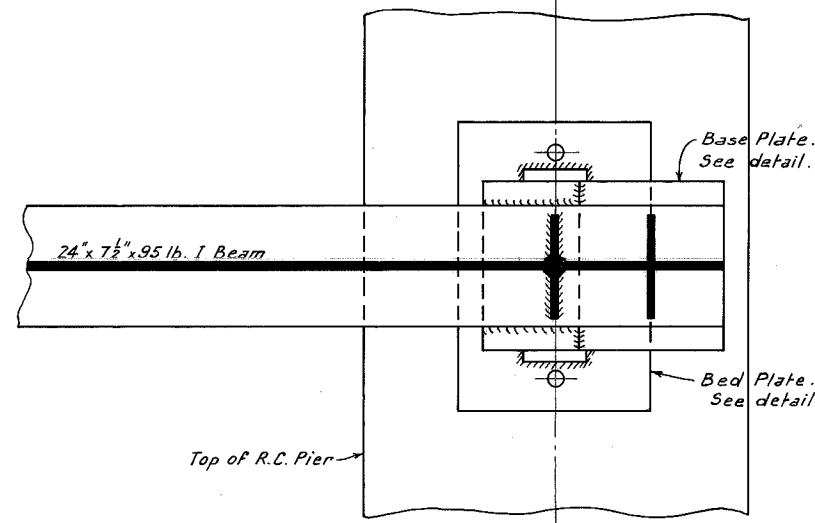
DET. OF BASE PLATE



PLAN - TOP OF PIER
PIERS 2 & 16



DET. OF BED PLATE



SECTION X-X
TYPICAL DETAIL OF GIRDER BEARING
OVER PIERS 2 & 16

CASTLEMAINE TO MARYBOROUGH DEVIATION AT JOYCE'S CREEK BRIDGE AT JOYCE'S CREEK AMENDMENT TO GIRDER BEARINGS OF 30' SPANS AT PIERS 2 & 16 SCALES: 1/2" & 1/4" = 1'-0"			
DRAWN BY	M.G.B.	SUP ^g ENGR ^r	DRAWING N ^o
TRACED "	M.G.B.	<i>asa</i>	30 ^A /4843
CHECKED "			