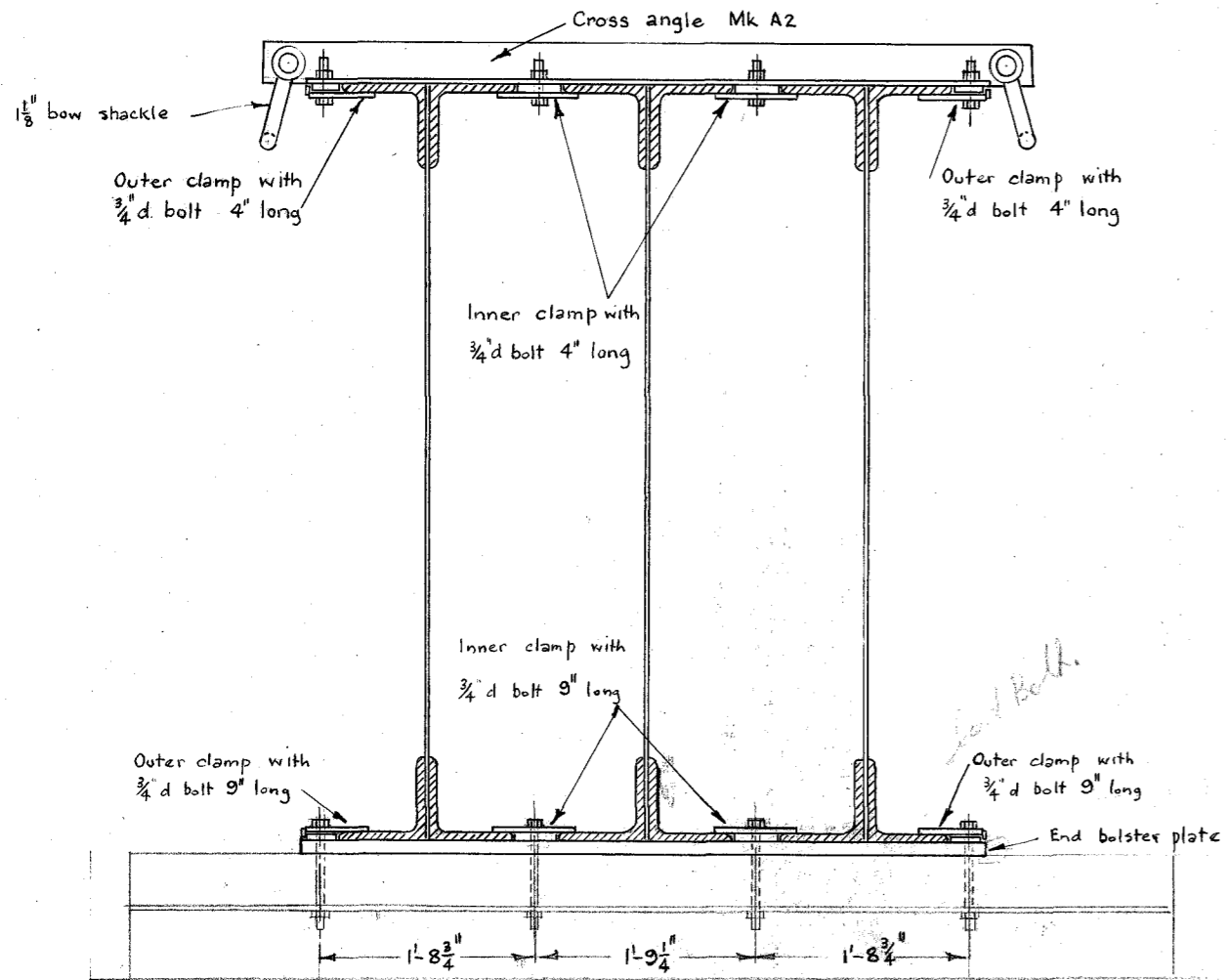
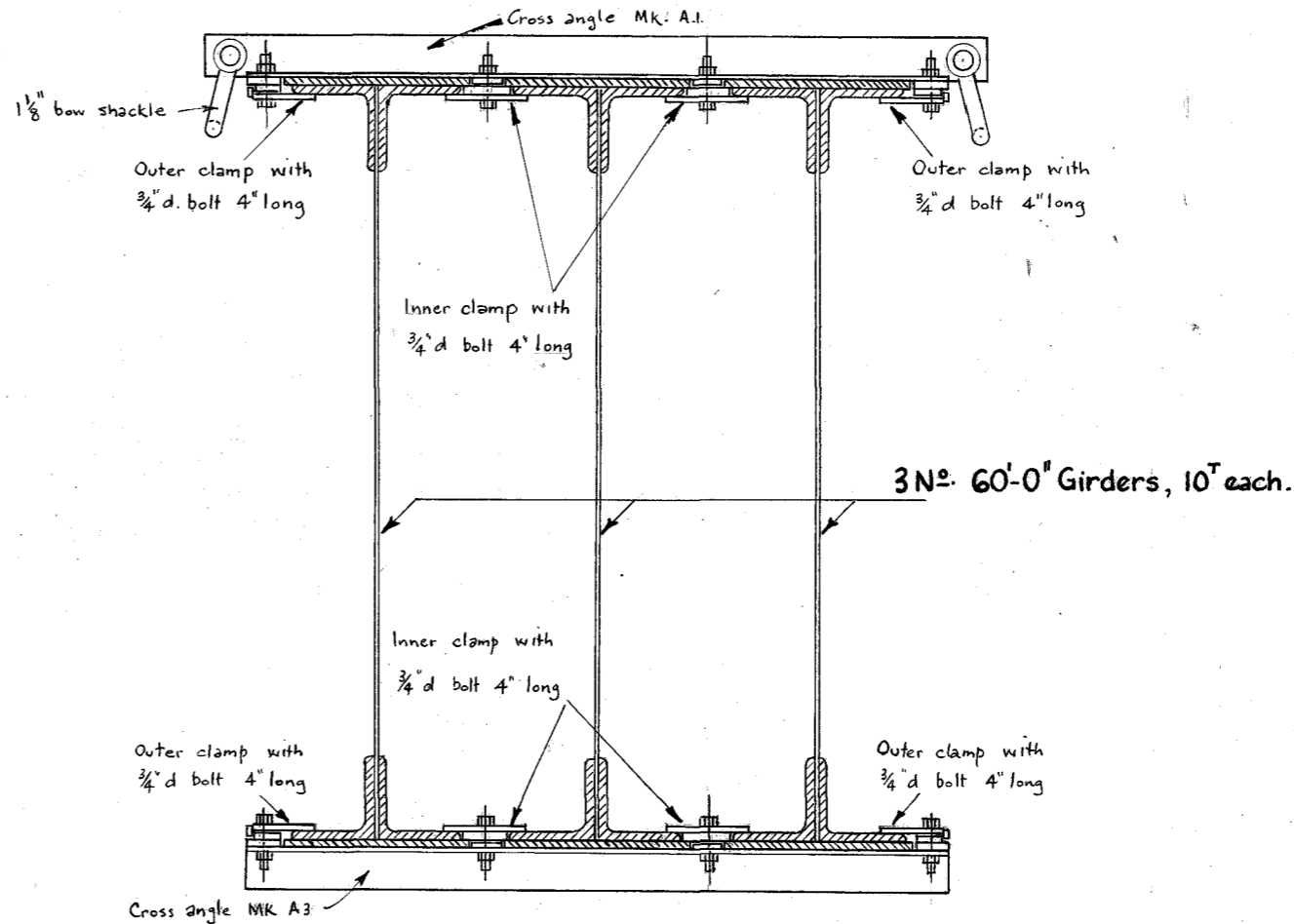


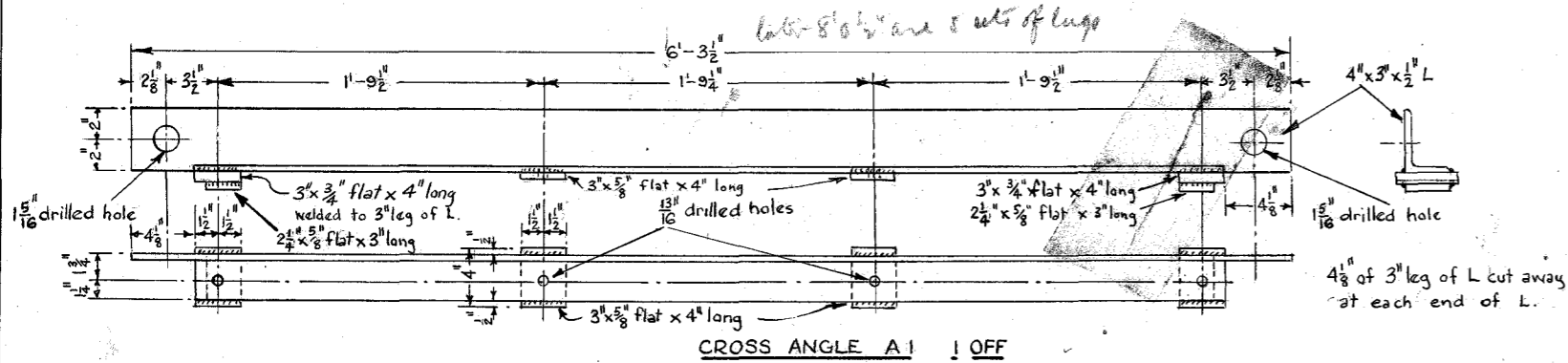
BOARD OF LAND AND WORKS
RAILWAY CONSTRUCTION BRANCH



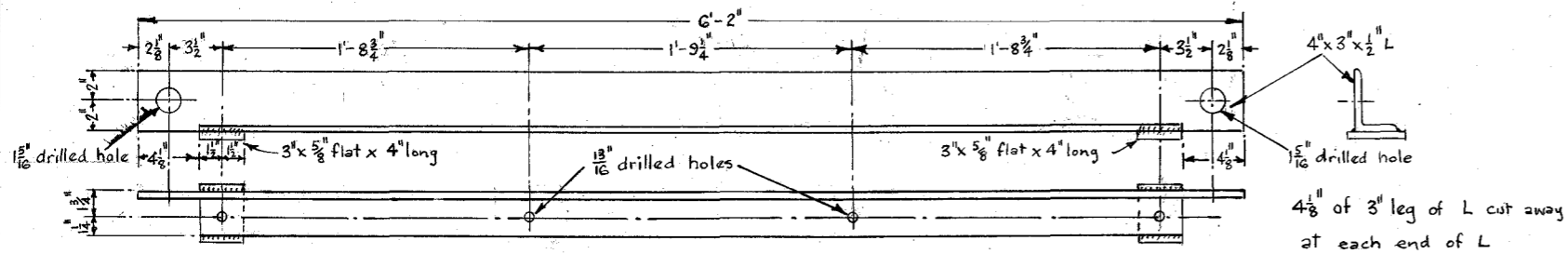
OVER END BOLSTERS ATTACHMENT (2 Sets)



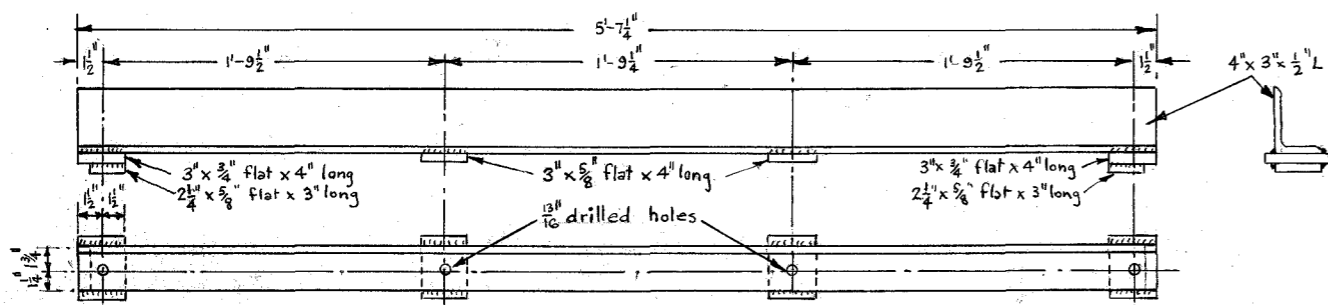
AT CENTRE OF TRUCK ATTACHMENT (1 Set)



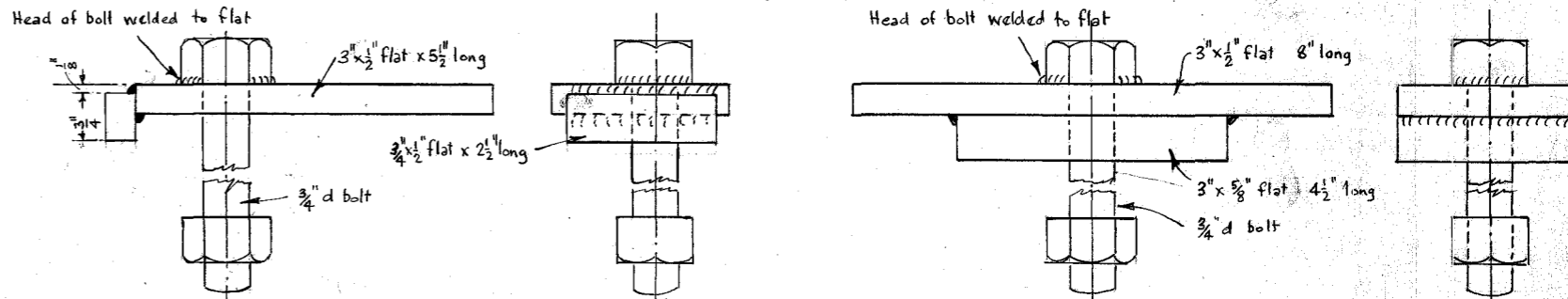
CROSS ANGLE A1 1 OFF



CROSS ANGLE A2 2 OFF



CROSS ANGLE A3 1 OFF

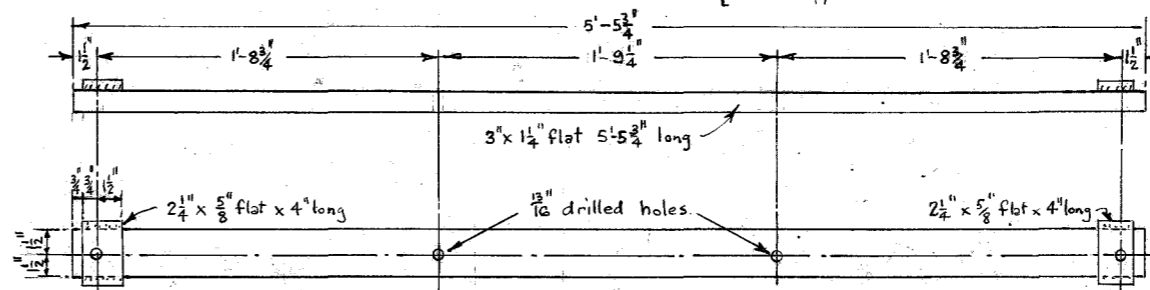


OUTER CLAMP

with 3/4" d bolt 4" long 4 OFF as drawn
with 3/4" d bolt 9" long 4 OFF opp. hand
2 OFF as drawn
2 OFF opp. hand

INNER CLAMP

with 3/4" d bolt 4" long 8 OFF
with 3/4" d bolt 9" long 4 OFF



END BOLSTER PLATE 2 OFF

CASTLEMAINE TO MARYBOROUGH
DEVIATION AT JOYCE'S CREEK
ATTACHMENTS FOR LOADING
GIRDERS ON "Q" TRUCK
Scales 1", 1/2", & 6" = 1'-0"

Drawn by	GEG	SUPV. ENGR.	DRAWING NO.
Traced by	GEG		30/4432
Checked			

5-12-31