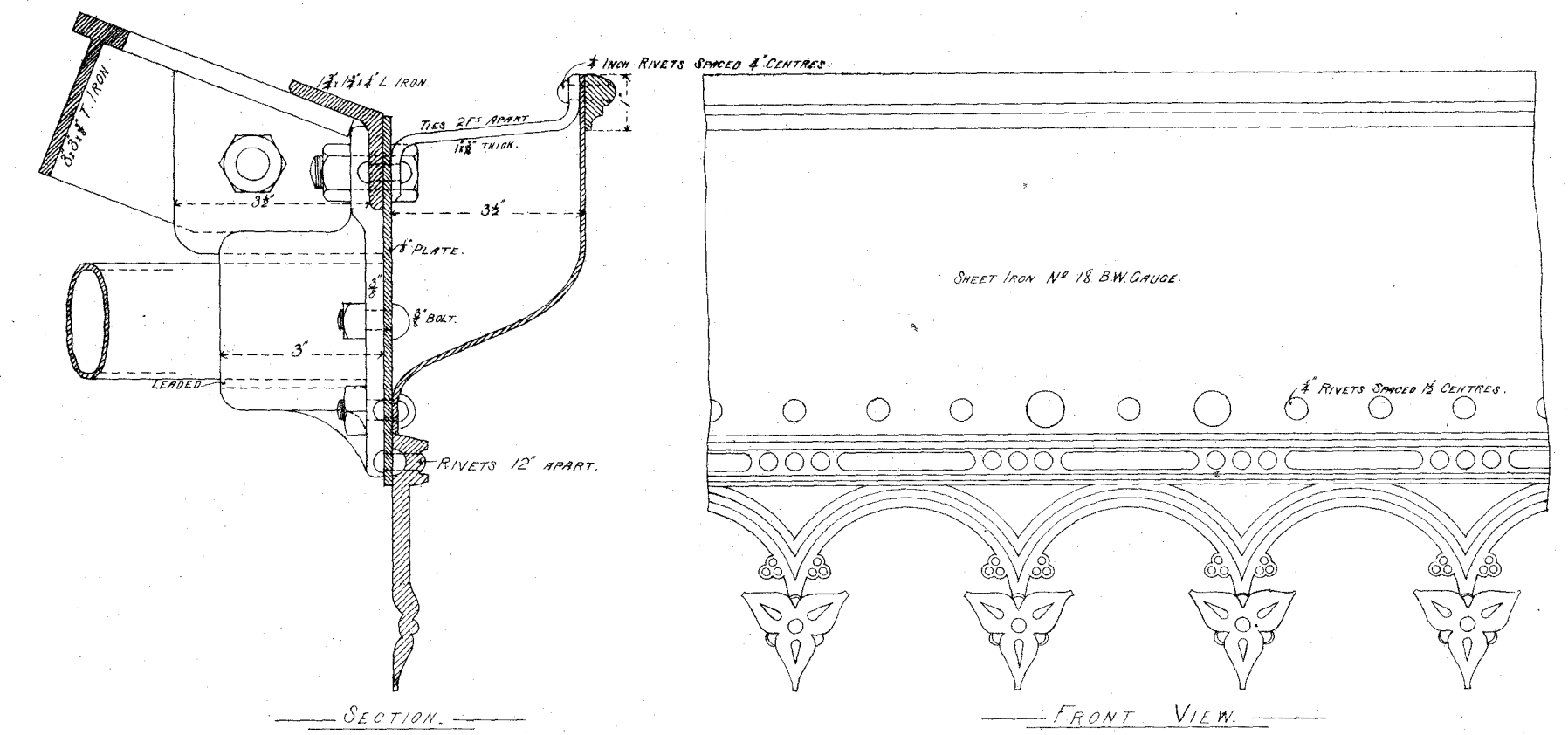
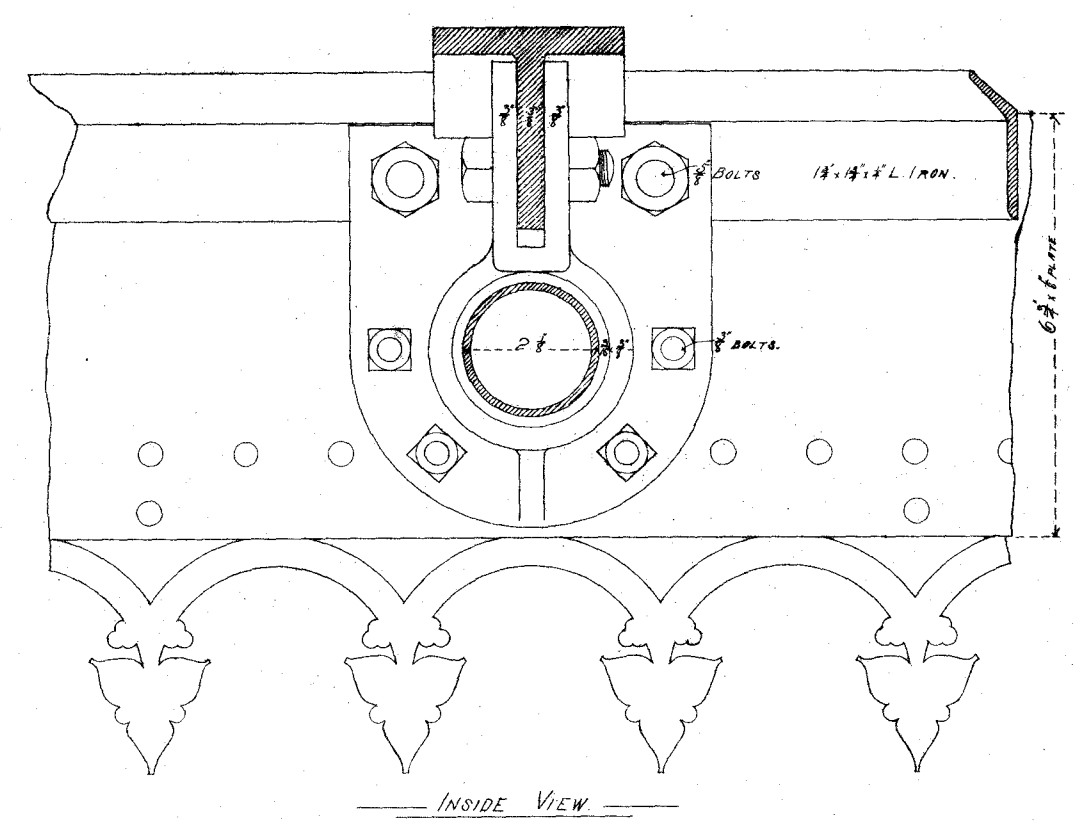


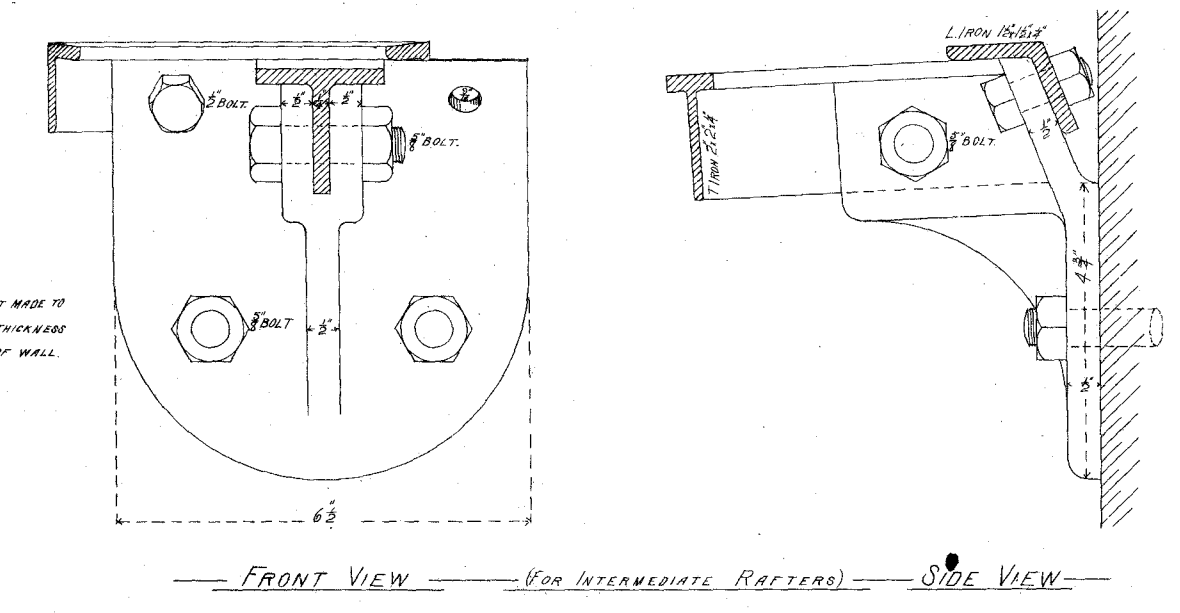
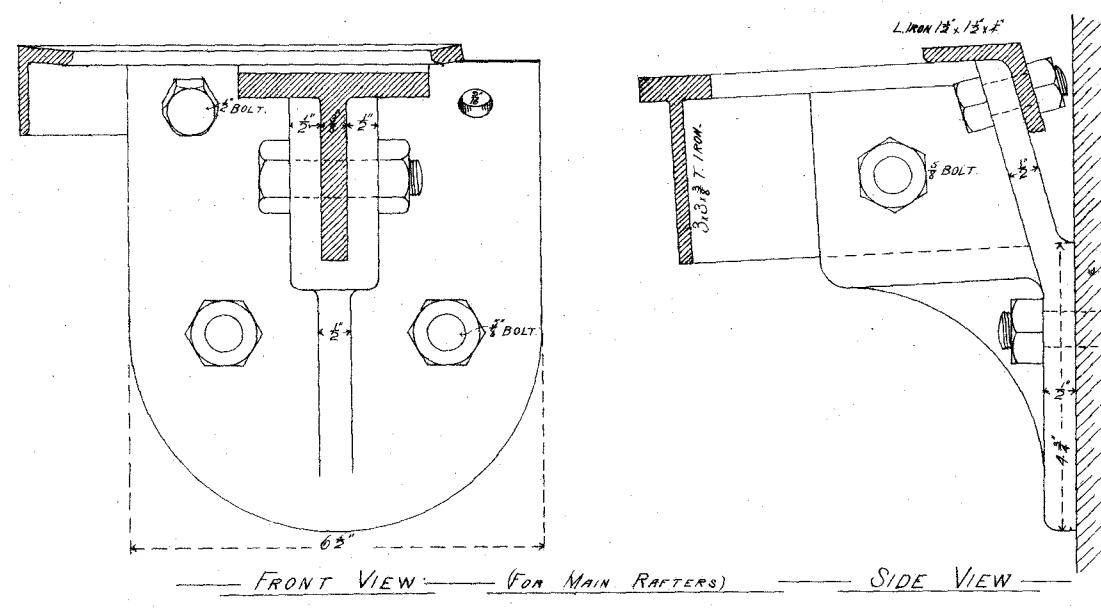
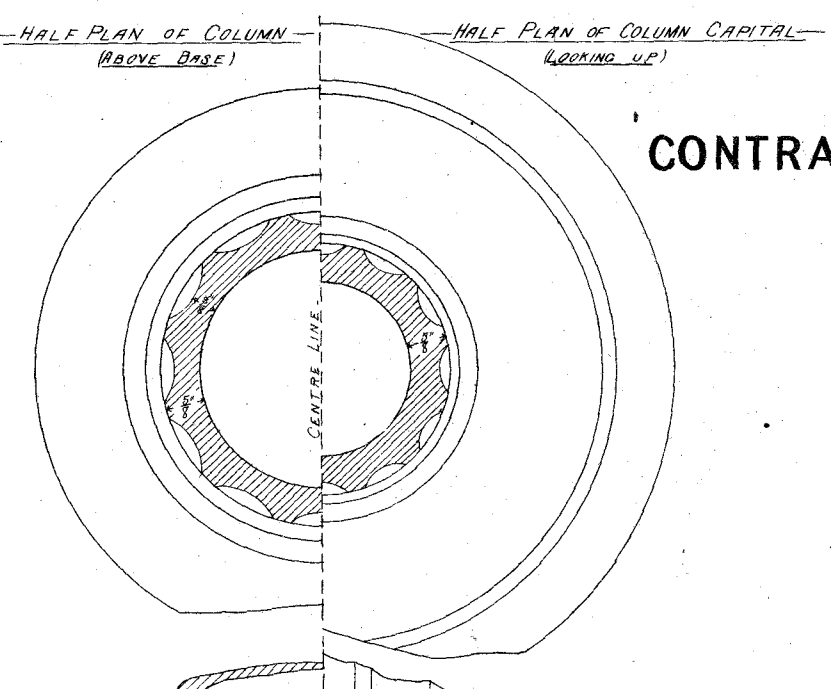
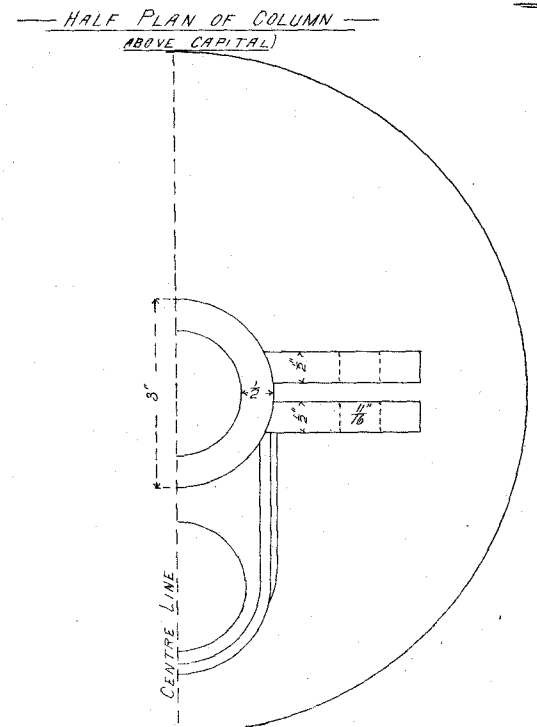
VICTORIAN RAILWAYS,
Melbourne & Coburg Line
Brunswick Station
 — DETAILS OF IRONWORK FOR VERANDAH —

SCALE 6 INCHES TO ONE FOOT

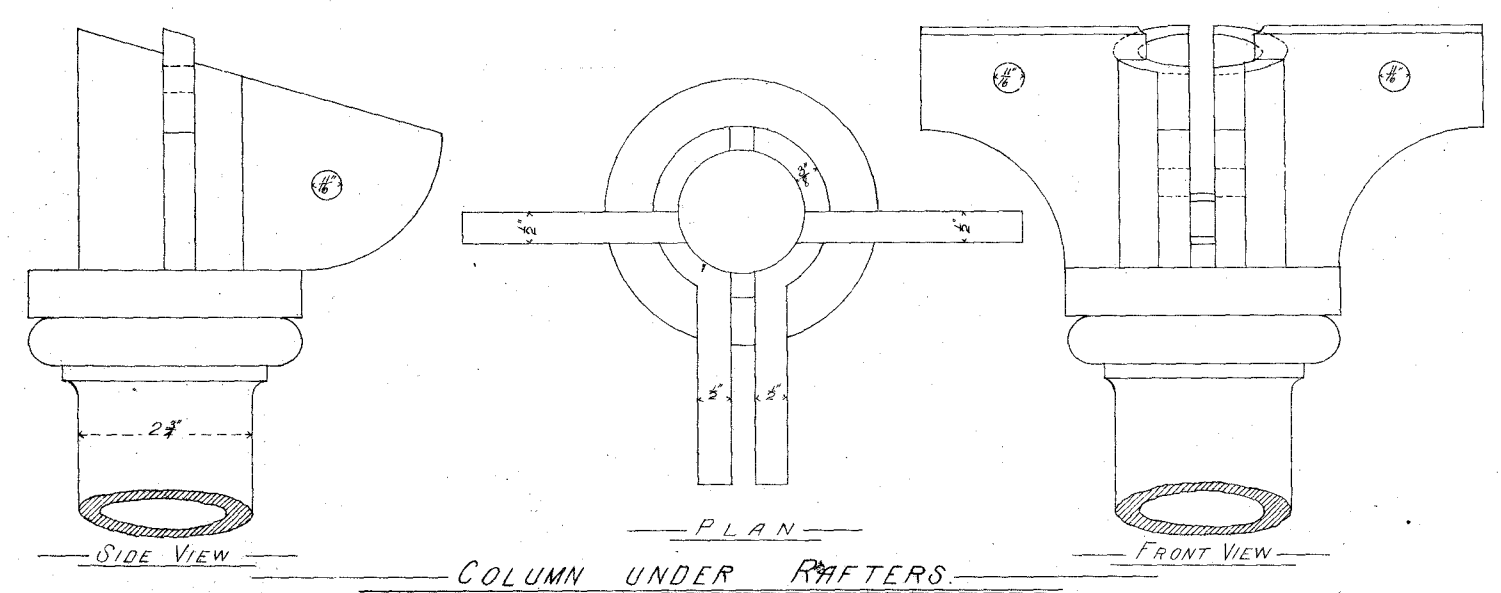
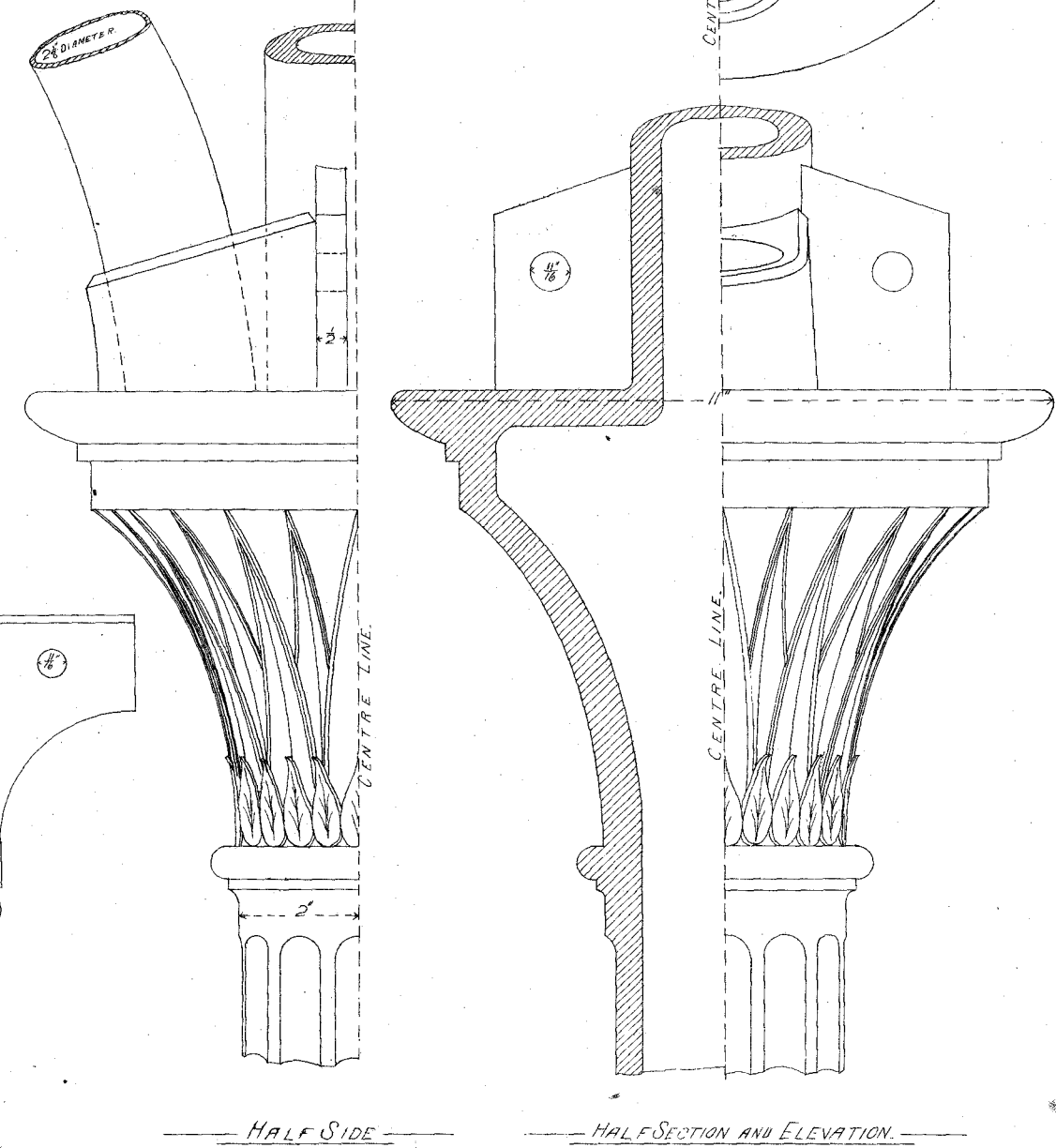
CONTRACT NO 3422
 NO 6



EAVES GUTTER AND BRACKET

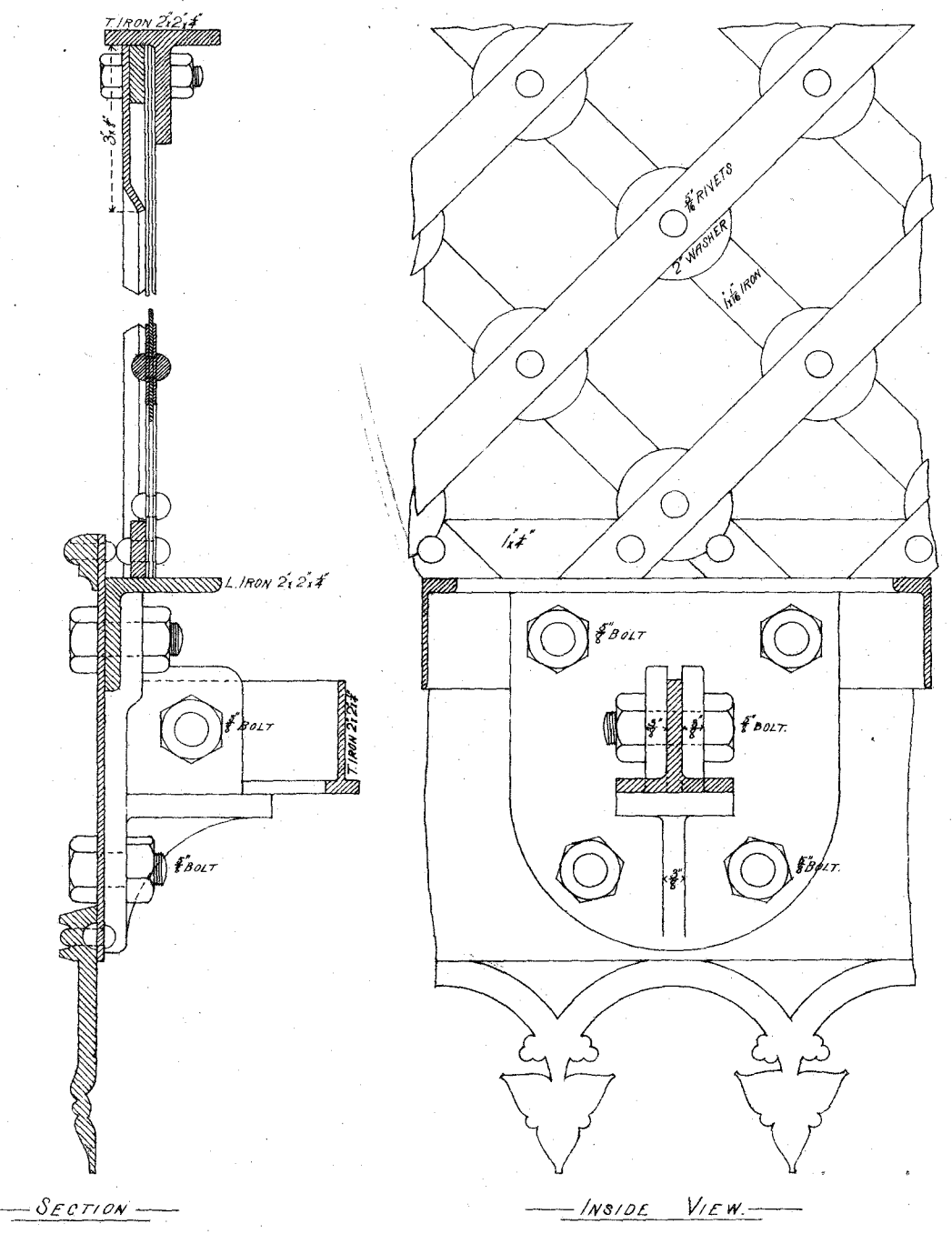


WALL BRACKETS

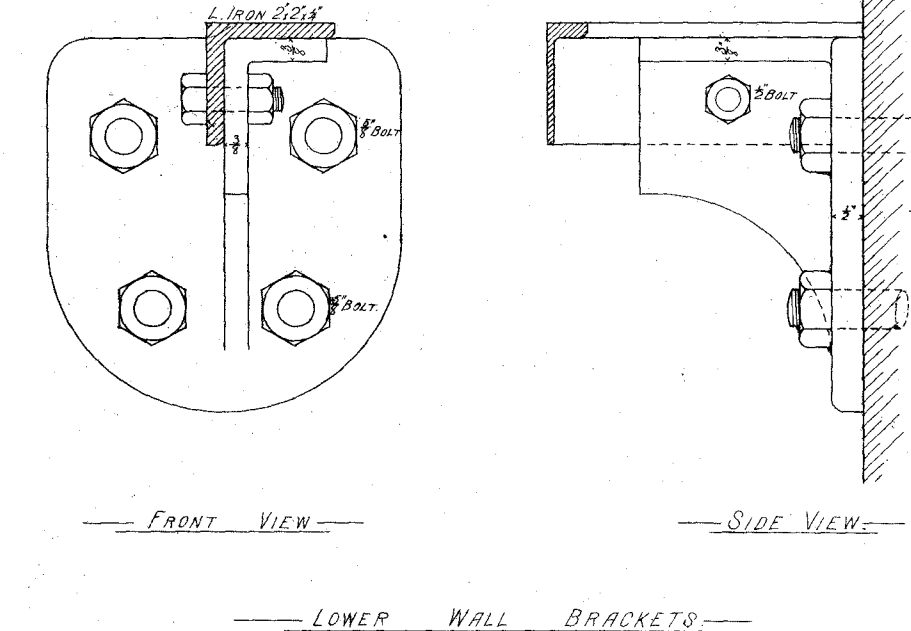


COLUMN UNDER RAFTERS

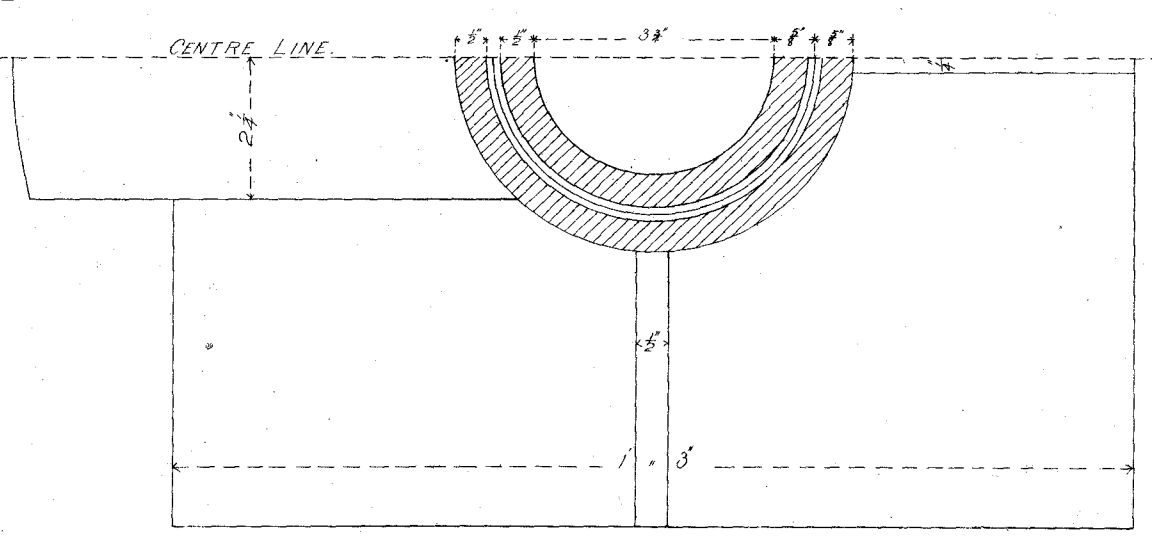
COLUMN CAPITAL



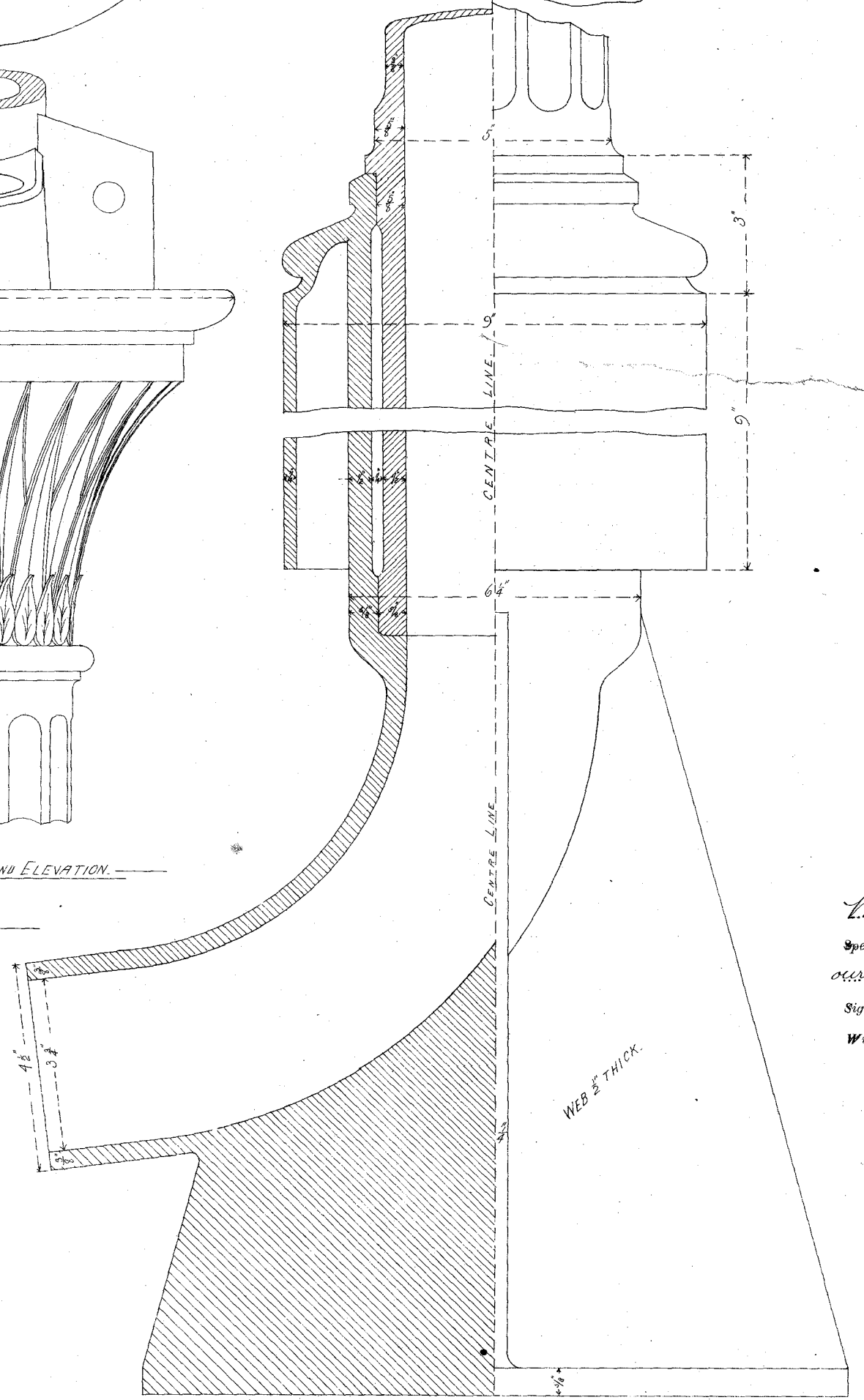
BRACKETS LATTICE SPANDRILS



LOWER WALL BRACKETS

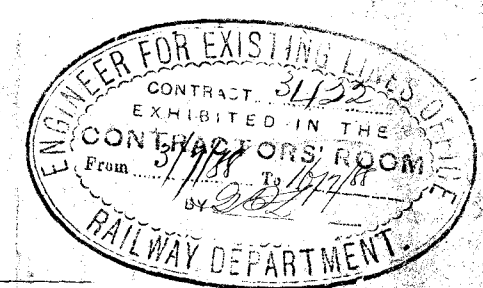


HALF PLAN OF COLUMN FOOTPIECE



HALF SECTION AND ELEVATION OF COLUMN BASE AND FOOTPIECE

I, the undersigned, accept this as one of the Drawings referred to in the Specification and Conditions upon which... based...
 Date... 31/1/1886
 Signature of Contractor...
 Witness to Signature...
 Date... 31/1/1886



RAILWAY DEPARTMENT, MELBOURNE, OCT 4 1886.

VICTORIAN RAILWAYS
 JAN 2 1919