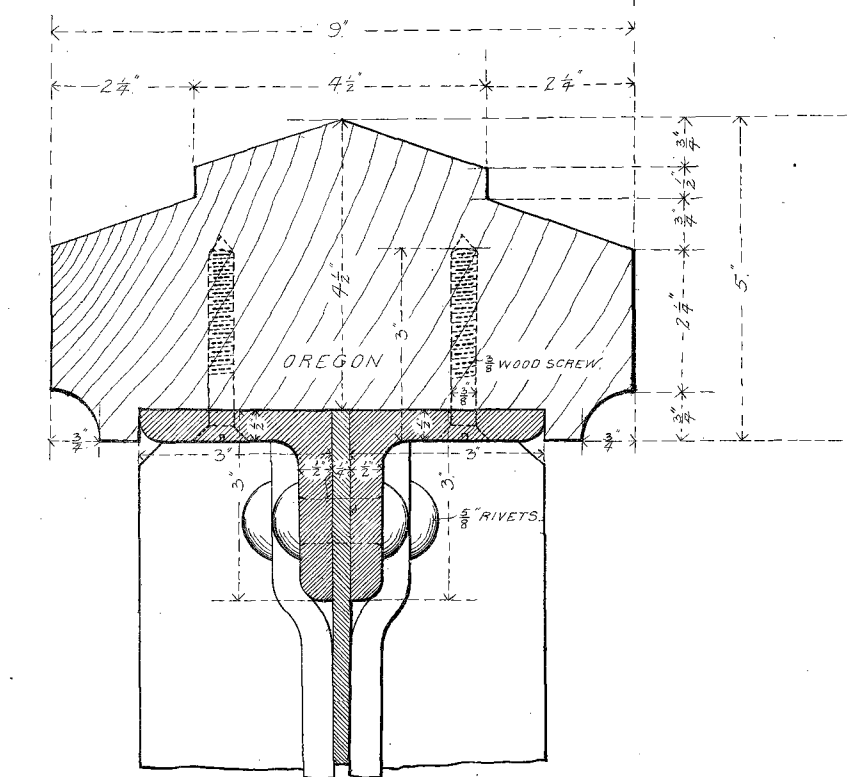
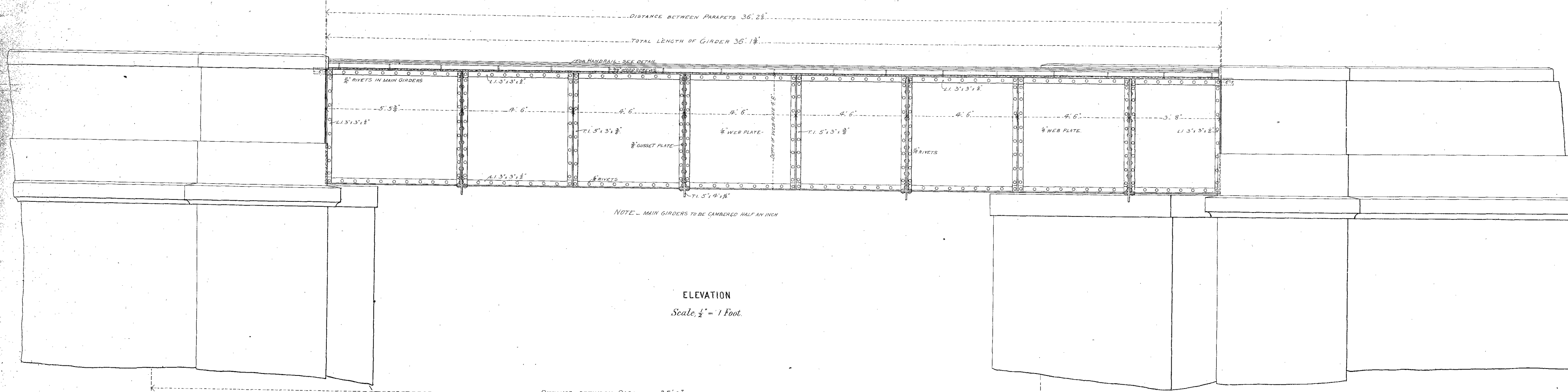
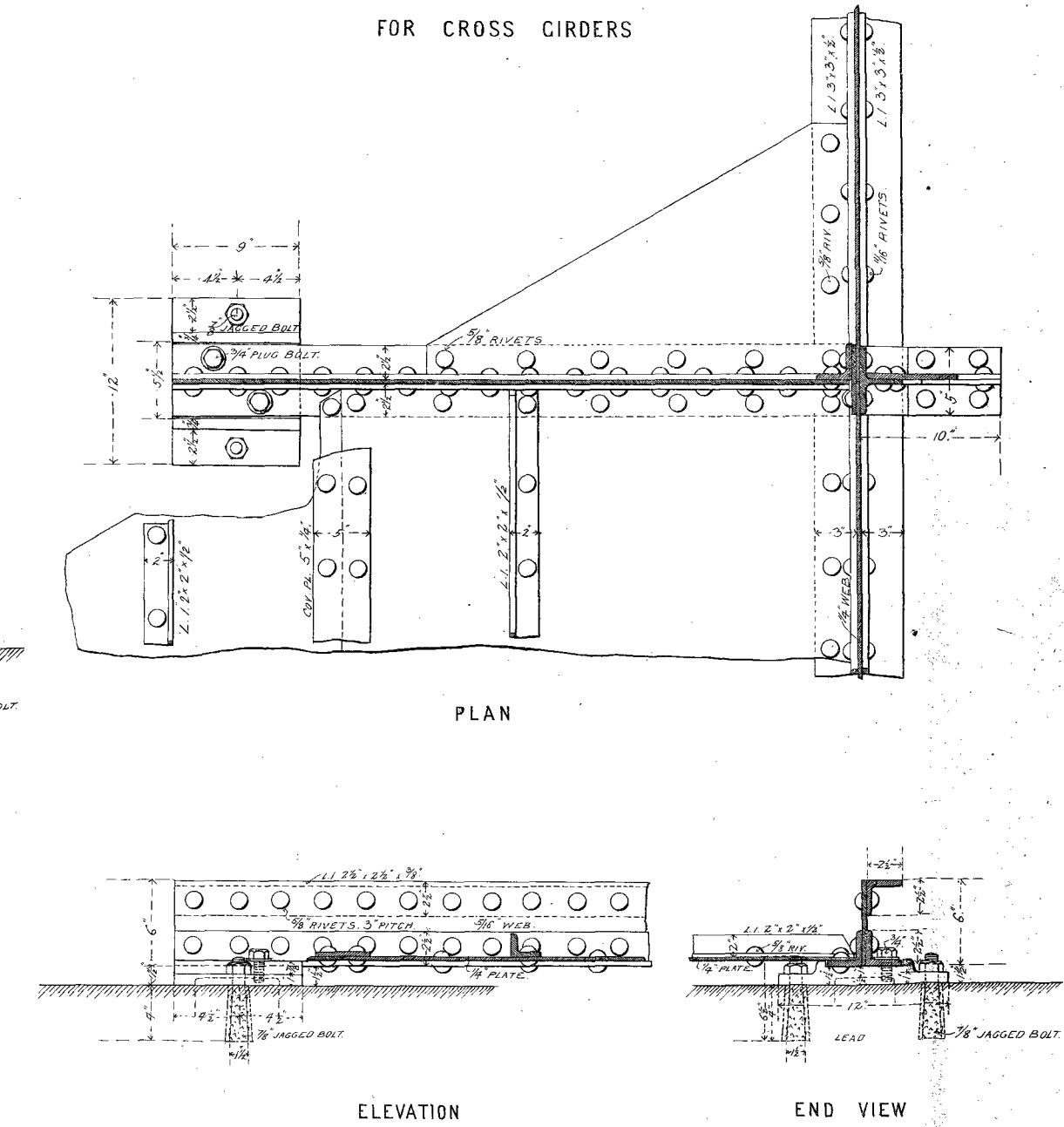
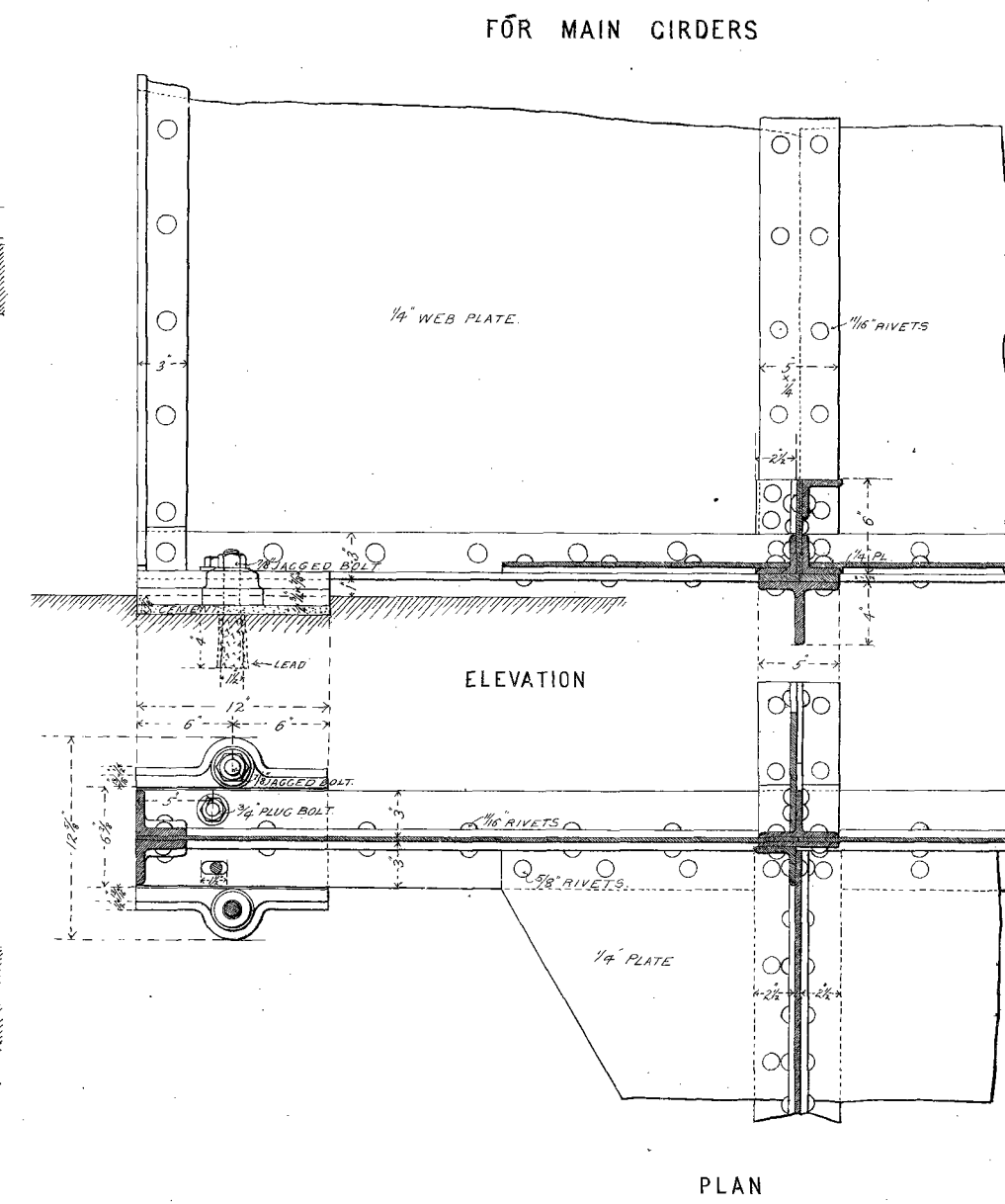
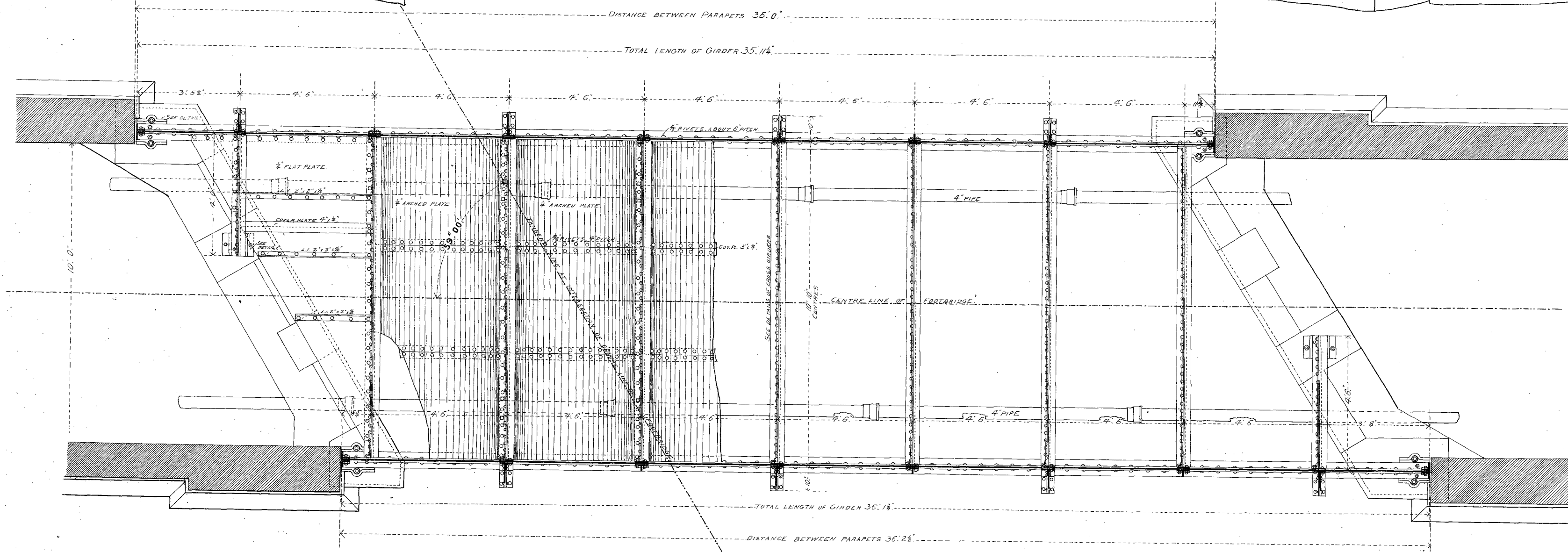


VICTORIAN RAILWAYS,
BALLARAT AND BUNINYONG LINE.
FOOTBRIDGE FOR NORTH SIDE OF VICTORIA STREET.
Details of Ironwork.

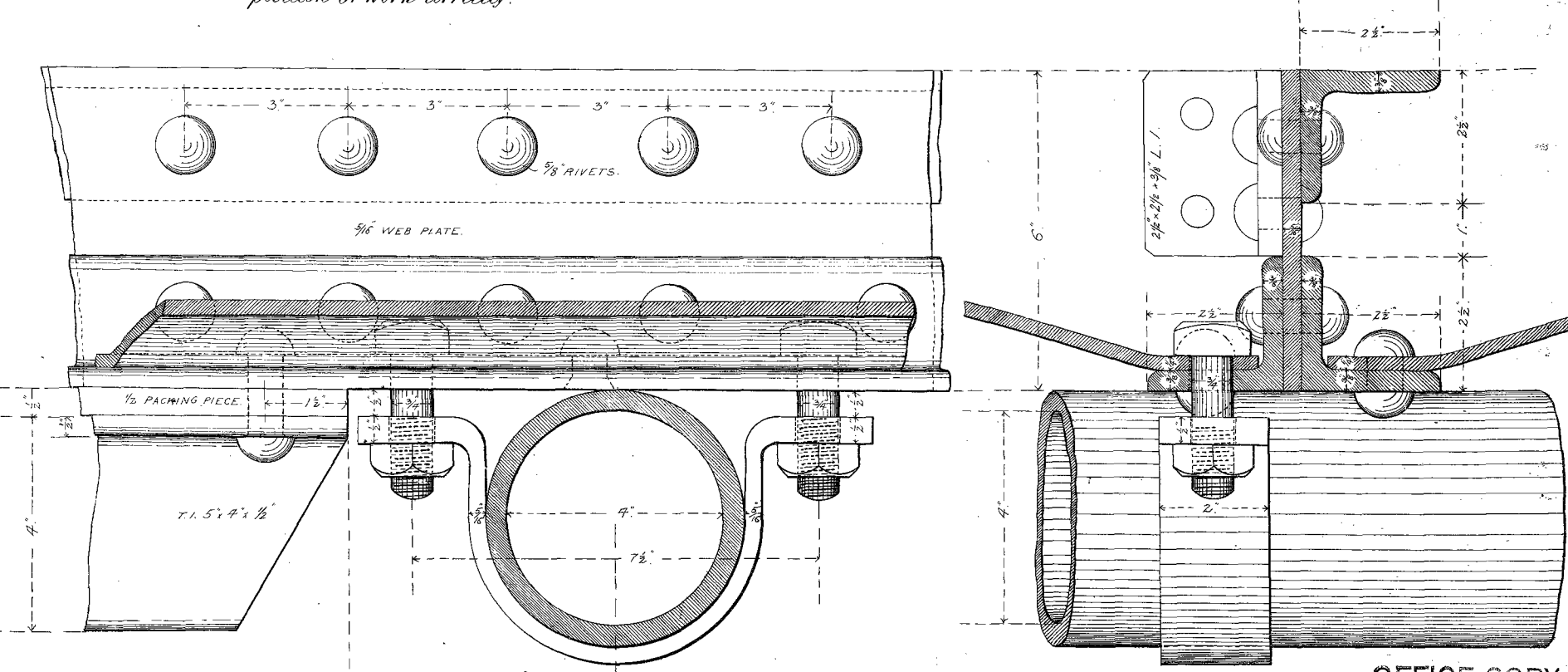
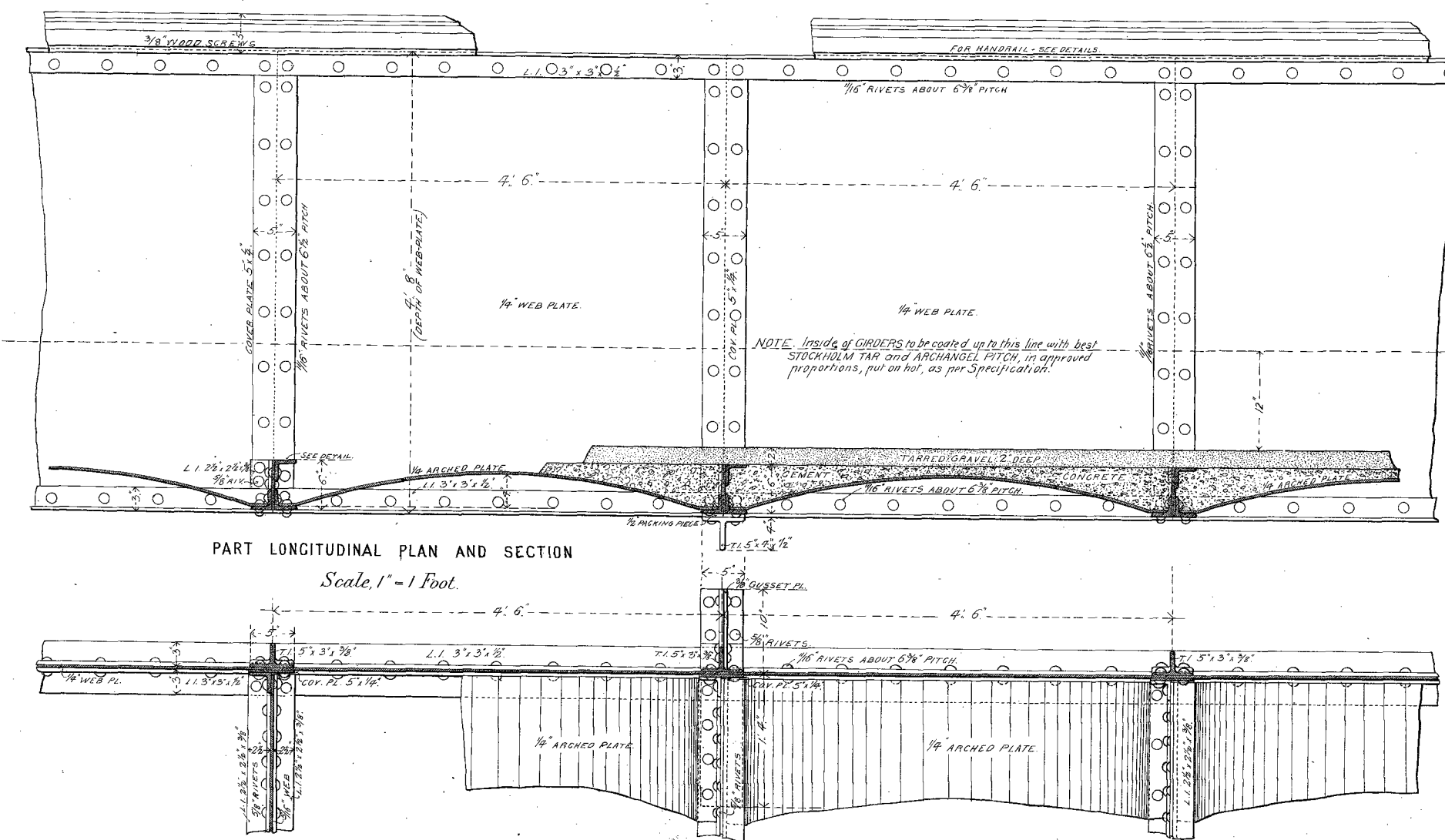
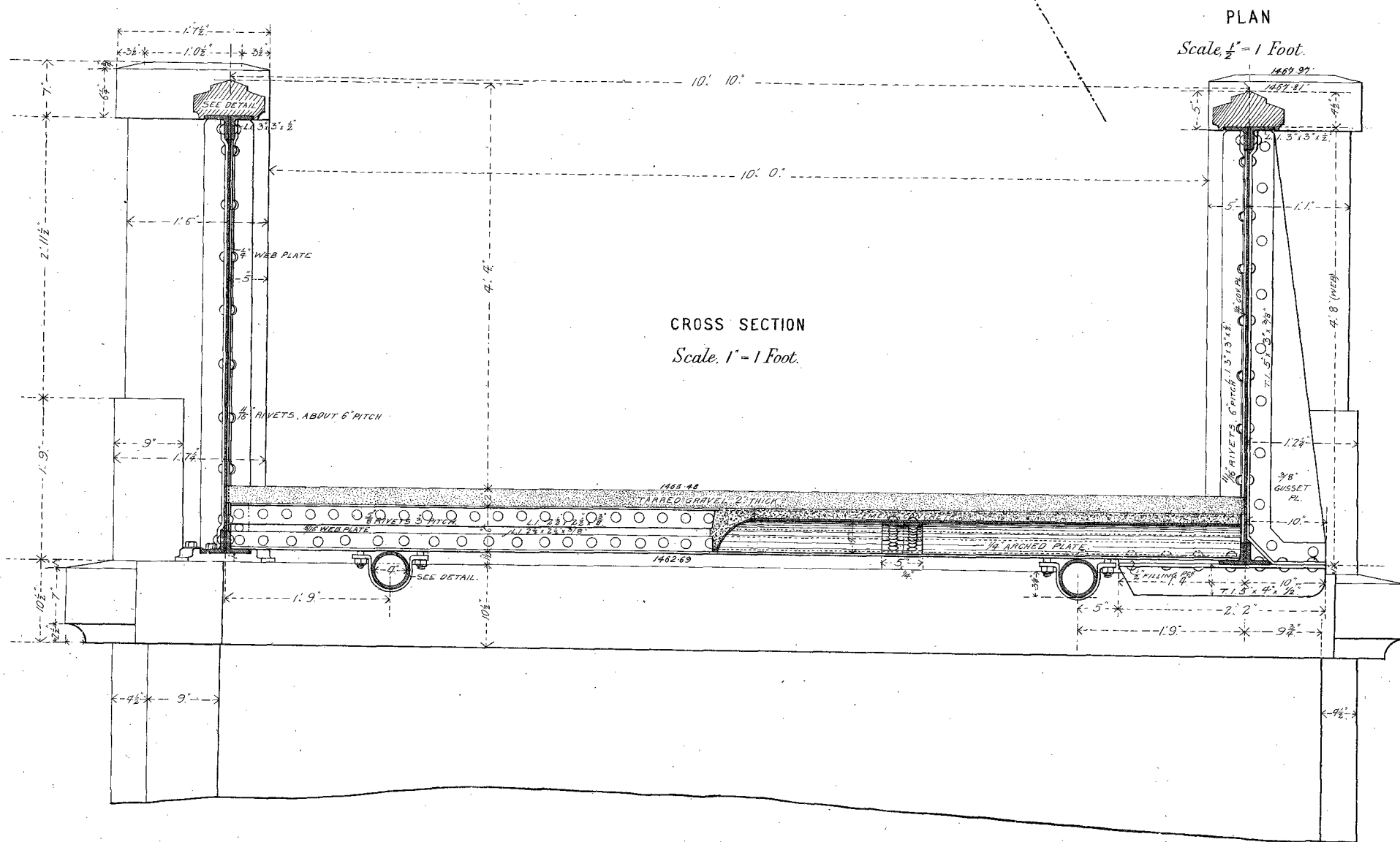
CONTRACT No 3099.
No 58



DETAILS OF BEDPLATES
Scale, 1/2" = 1 Foot.

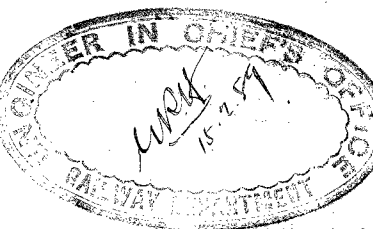


NOTE Ironwork to be laid out full size so as to get position of work correctly.



OFFICE COPY.

RAILWAY DEPARTMENT, MELBOURNE FEB 1899



VICTORIAN RAILWAYS
DEC 15 1919