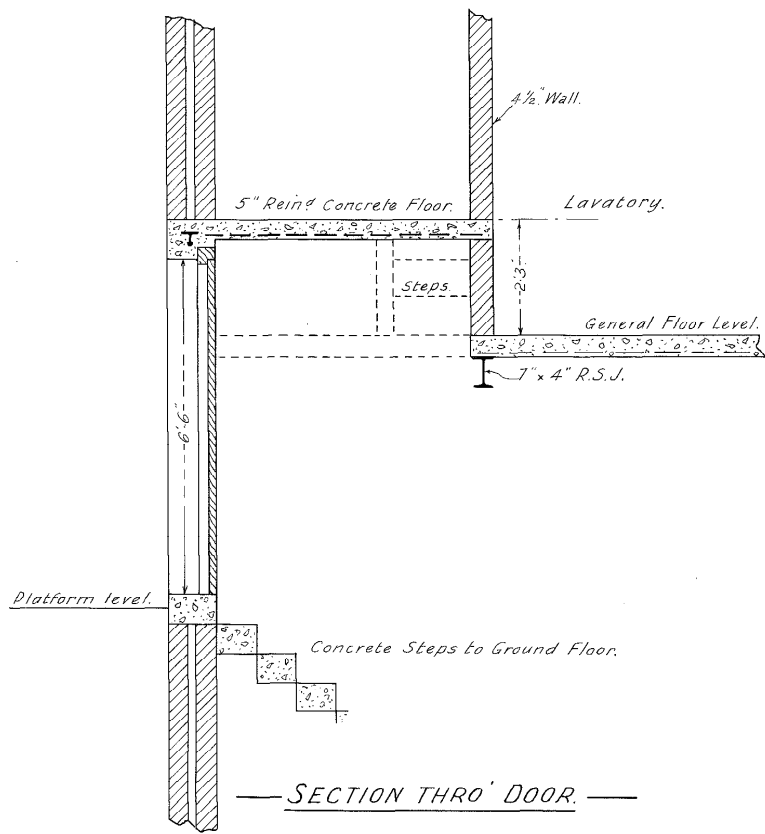
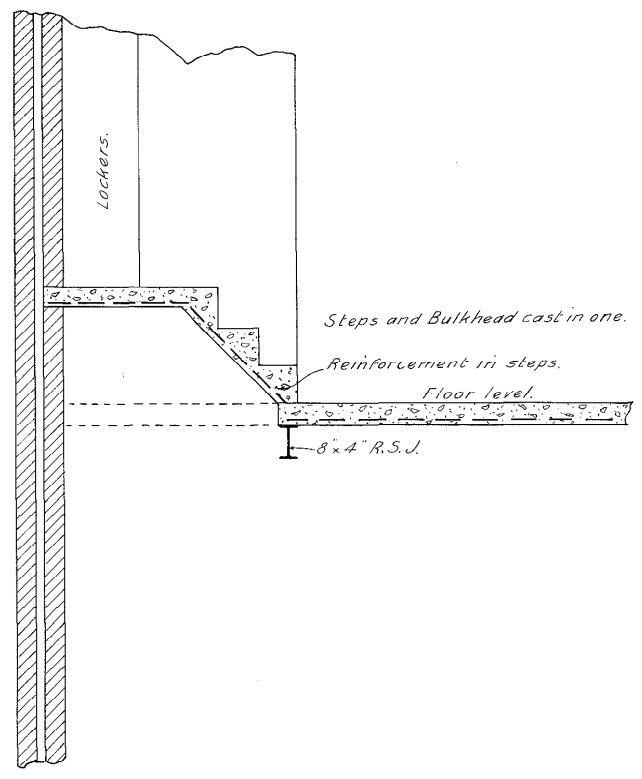


Handwritten notes in the top left corner, possibly indicating revision or project details.

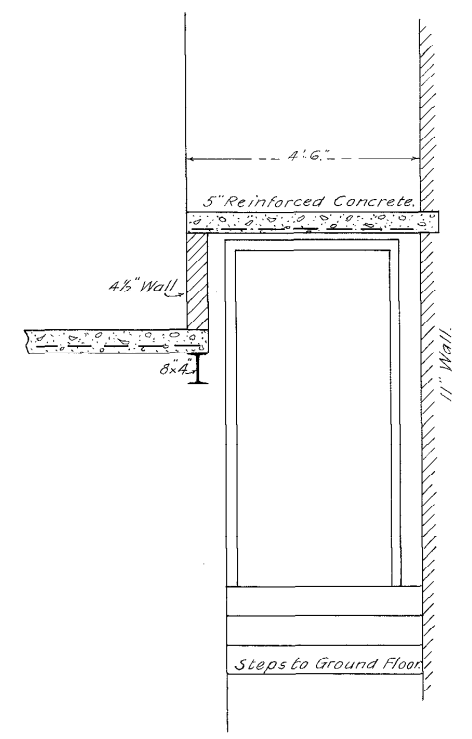
— V. R. —
— CAMBERWELL SIGNAL BOX. —
— DETAIL OF BULKHEAD. —
— Scale: 2 Feet to an Inch. —



— SECTION THRO' DOOR. —



— SECTION THRO' BULKHEAD STEPS. —



— SECTION THRO' BULKHEAD. —

2292-22

Arch. Sawcett
Architect.
18.7.22.

B 47
C 65