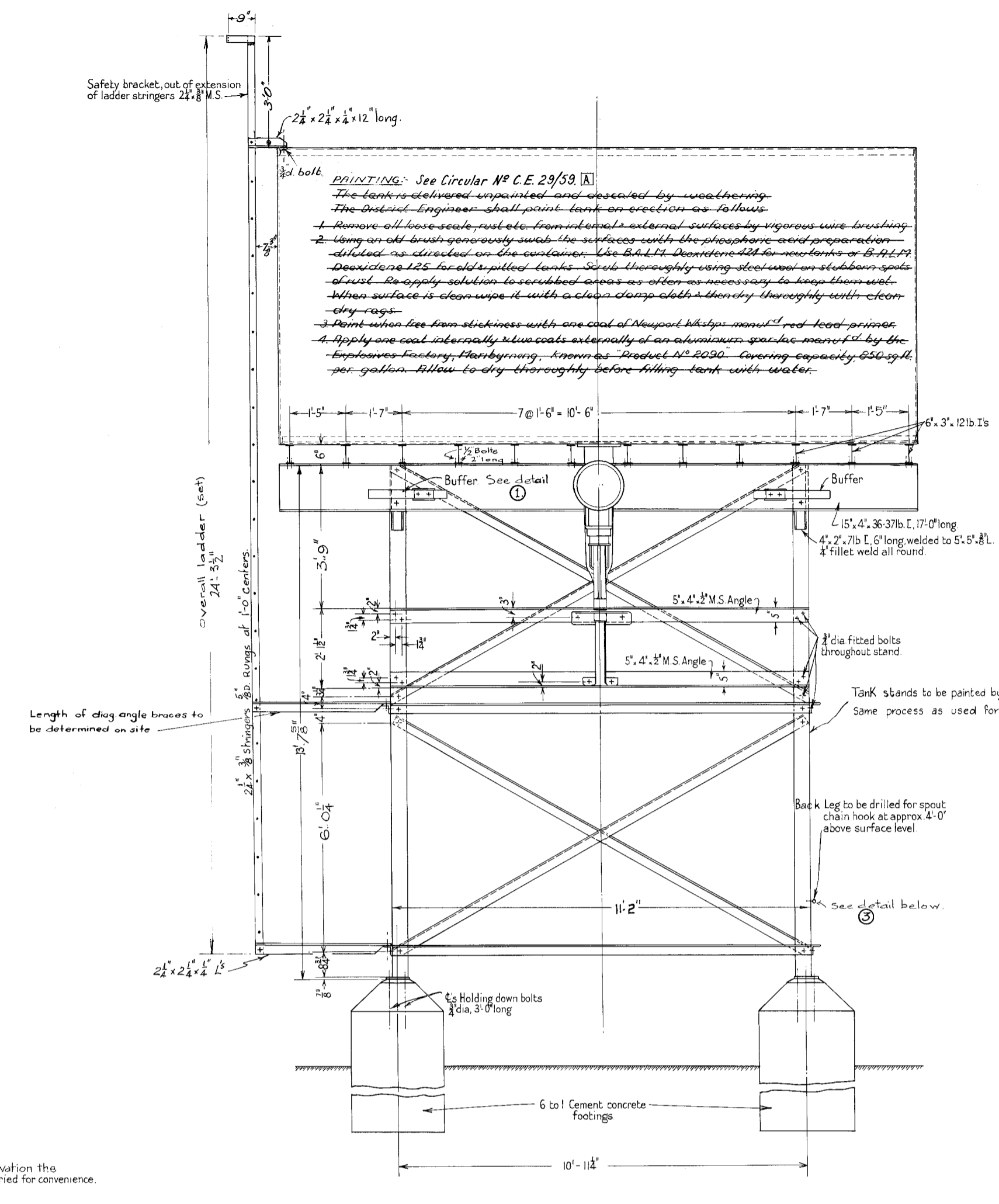
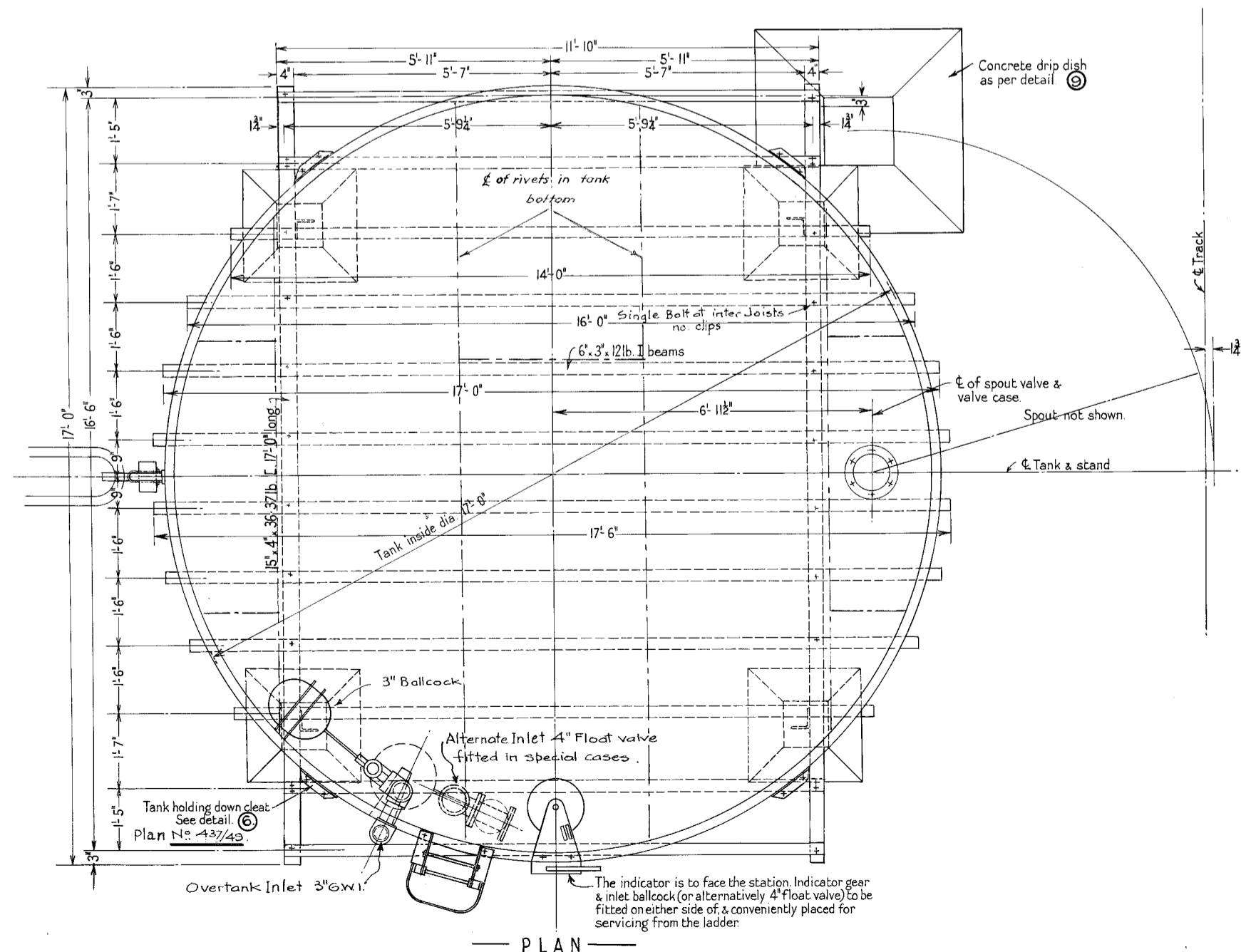


SIDE ELEVATION

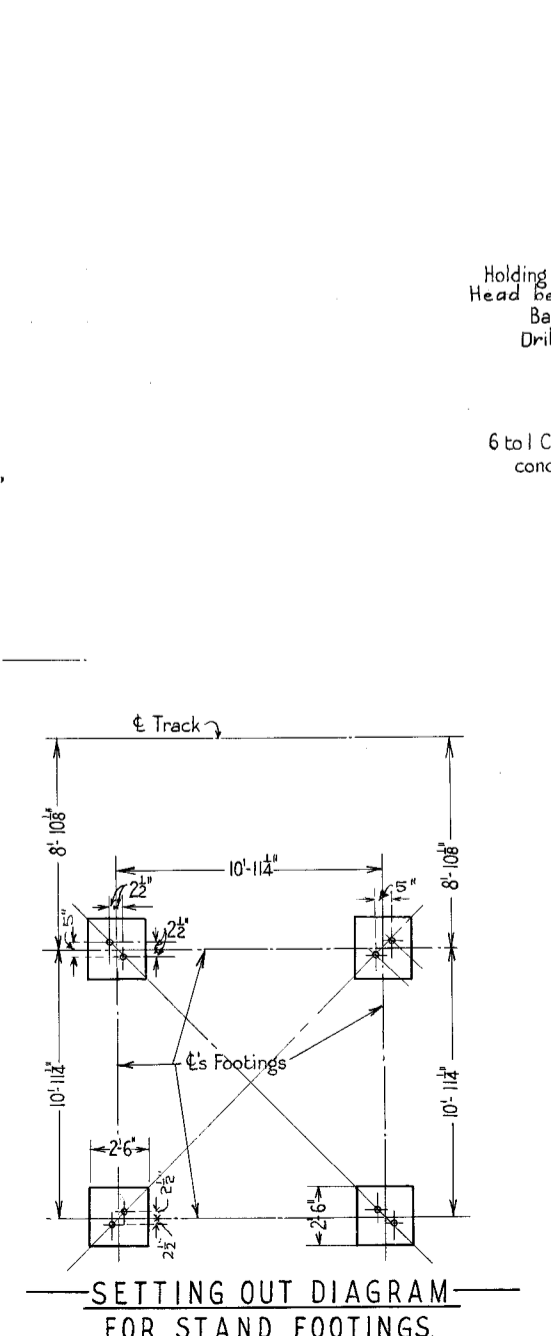


FRONT ELEVATION



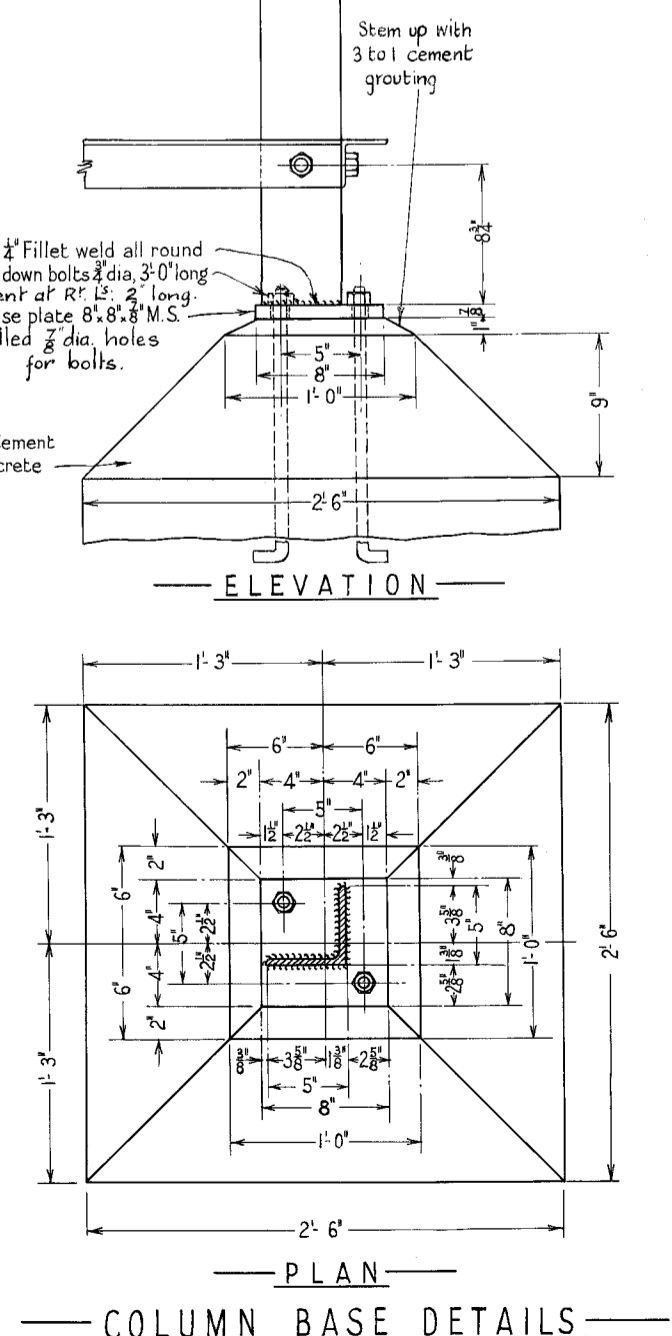
GENERAL ARRANGEMENT OF TANK STAND AND SPOUT

Scale 1/2" = 1'-0"



SETTING OUT DIAGRAM FOR STAND FOOTINGS

Scale 3/8" = 1'-0"



COLUMN BASE DETAILS

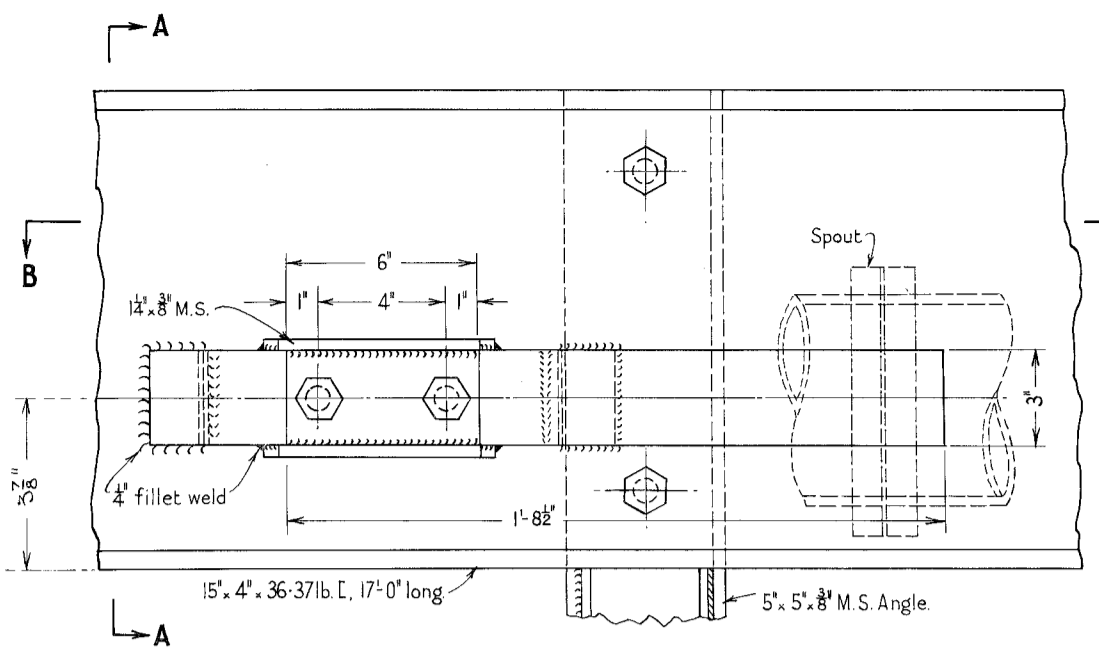
Scale 1/2" = 1'-0"

**ERECTION**  
The District Engineer shall provide the concrete footings for the Tank Stand and all pipe work. The Workshops Manager, Spetswood, will erect the Tank, Stand & Spout, and provide all necessary fittings.

**NOTE:** This hook is standard on all steel tank stands same as detail 3 on Plan 798/18.  
Chain Length of chain approx. 14'-0"

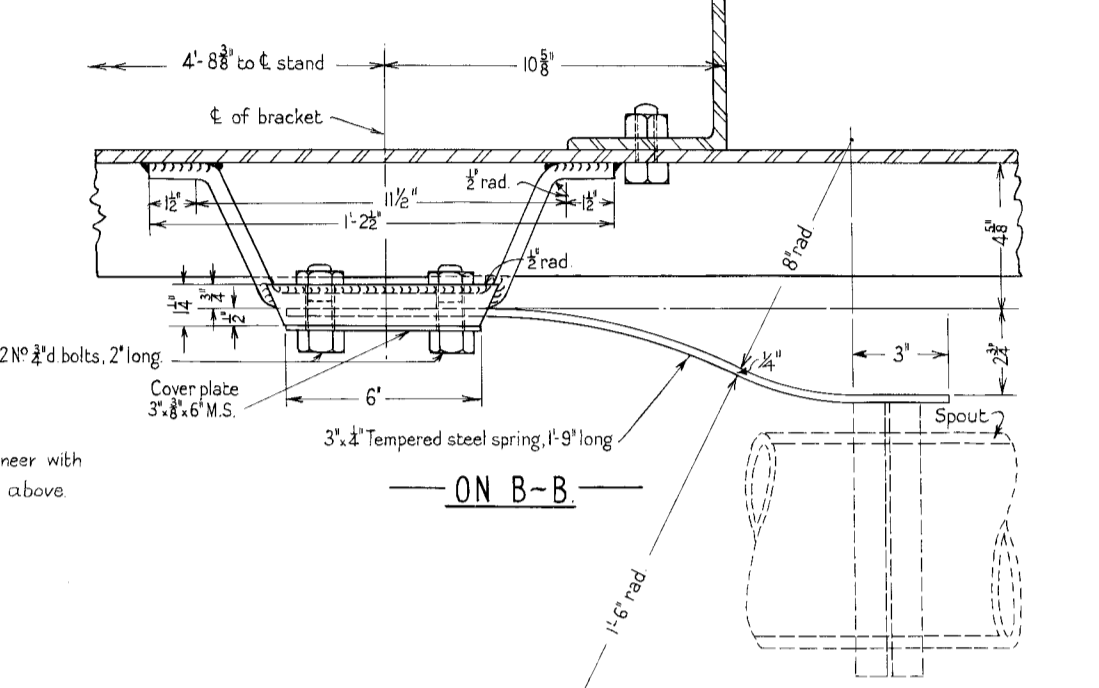
HOOK FOR SPOUT CHAIN

1 No Required - Mild Steel  
Scale 3/4" = 1'-0"

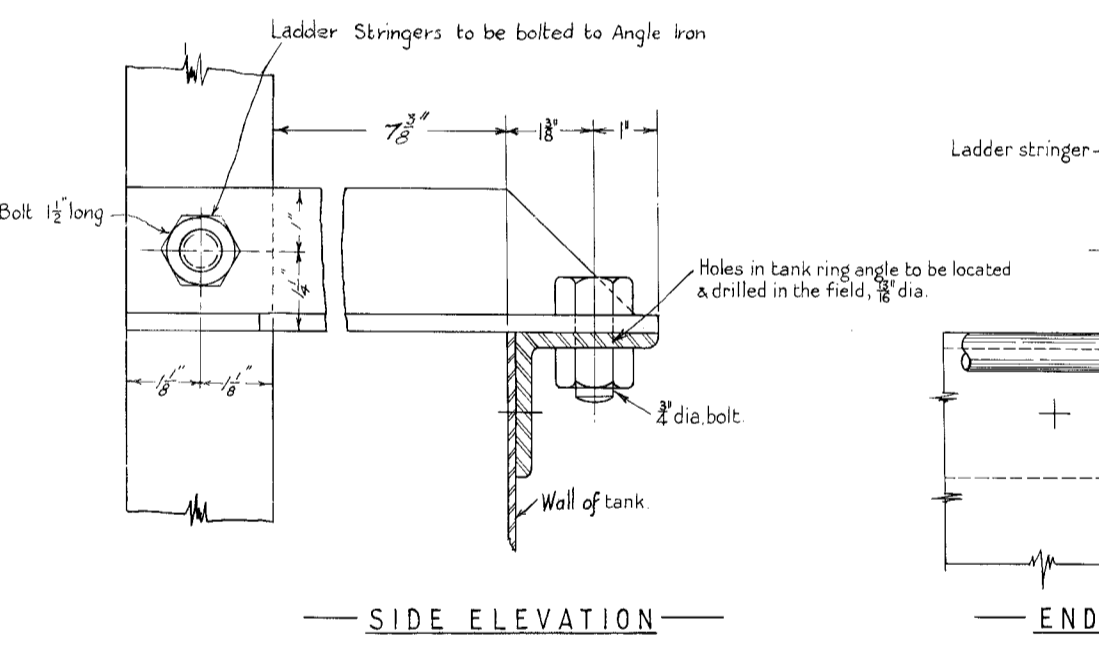


SPRING BUFFER DETAILS

2 No Required  
Scale 3" = 1'-0"



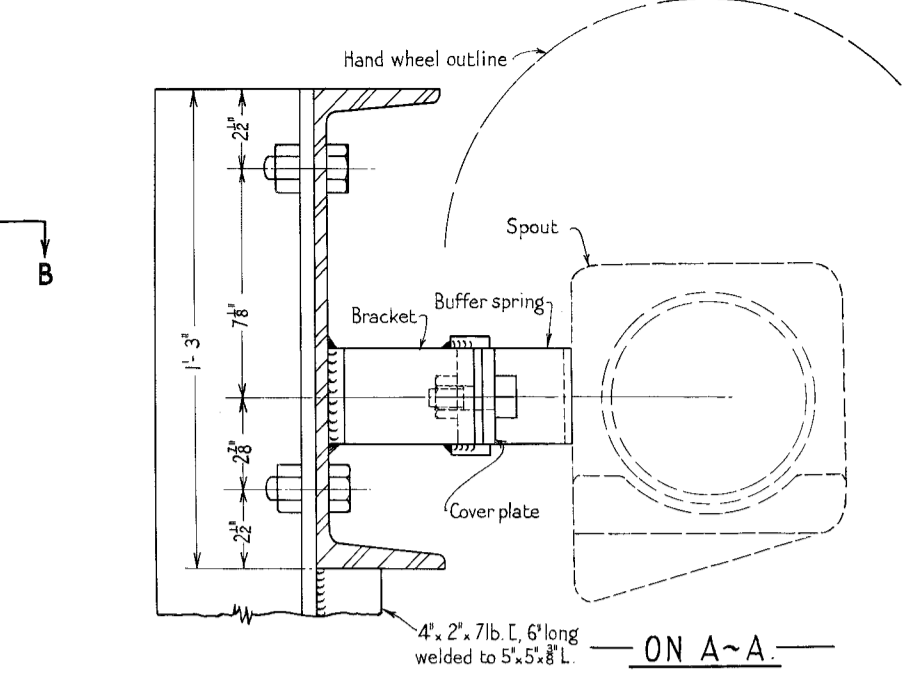
ON B-B



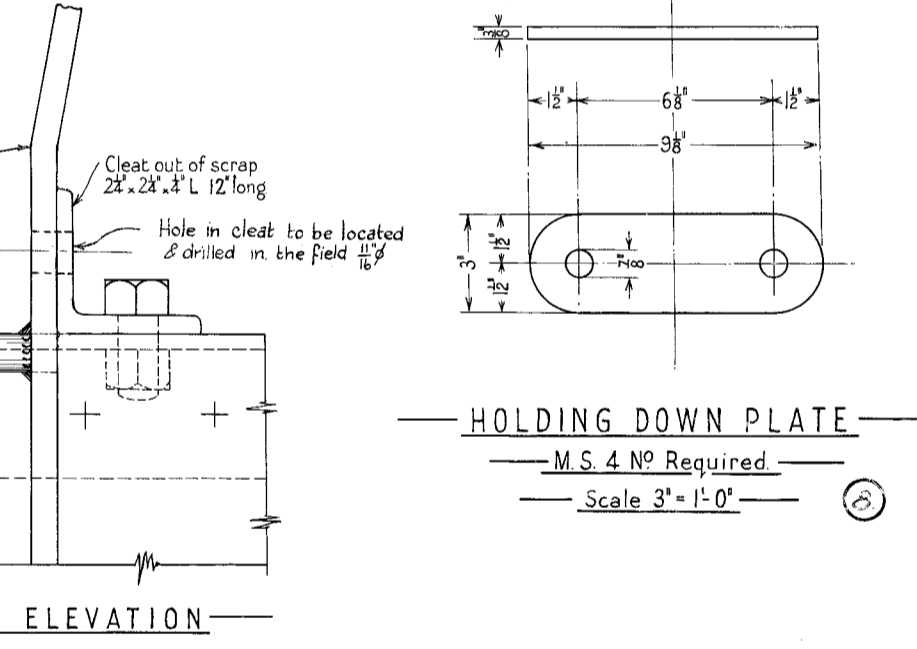
SIDE ELEVATION

LADDER CLEAT DETAIL

Scale 1/2 full size

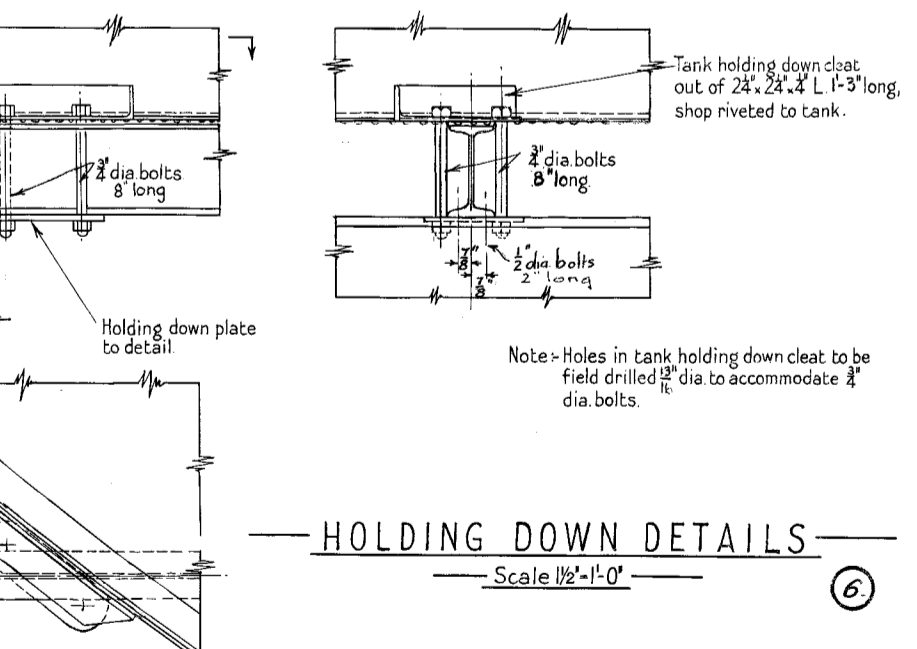


ON A-A



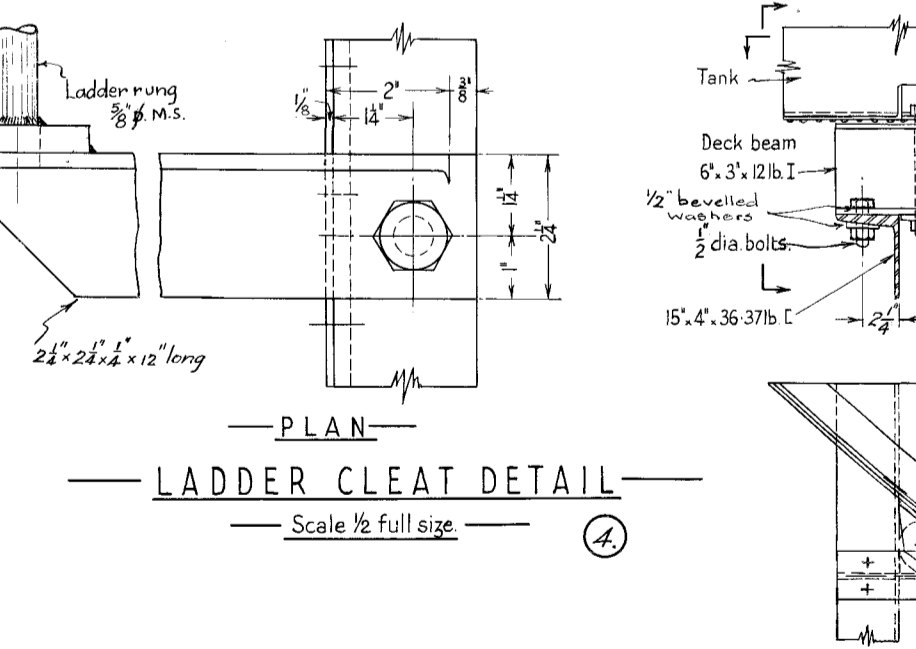
HOLDING DOWN PLATE

M.S. 4 No Required  
Scale 3" = 1'-0"



HOLDING DOWN DETAILS

Scale 1/2" = 1'-0"



DRIP DISH

1 No Required - Concrete  
Scale 3/4" = 1'-0"

**NOTE:** THIS PLAN SUPERSEDES PLAN No. 516/36 READ IN CONJUNCTION WITH PLANS 741/10 C CLASS SPOUT, 433/10 10,000 GALLON M.S. TANK AND 281/38 4" EXPAN. JOINT

**10,000 GALLON COMBINED TANK & 'C' CLASS SPOUT**  
GENERAL ARRANGEMENT AND DETAILS OF STAND.

Scales as indicated.

8-4-45	Note re reaction altered	J.N.E.	A.A.P.	Chief Civil Engineer
1-29-52	Details of Painting amended	E.K.	A.A.P.	Drawn by
1-4-53	Amend Details of Painting added	N.M.D.	M.A.W.	Traced by
Revision	Date	Detail	Amendment	By