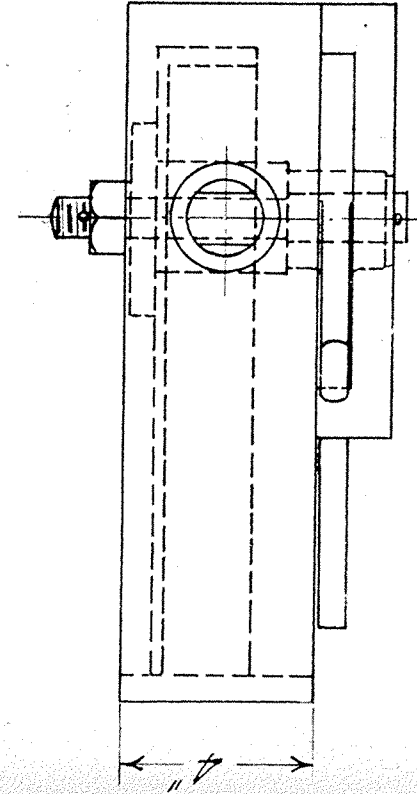


1080
31080
T 24 2.

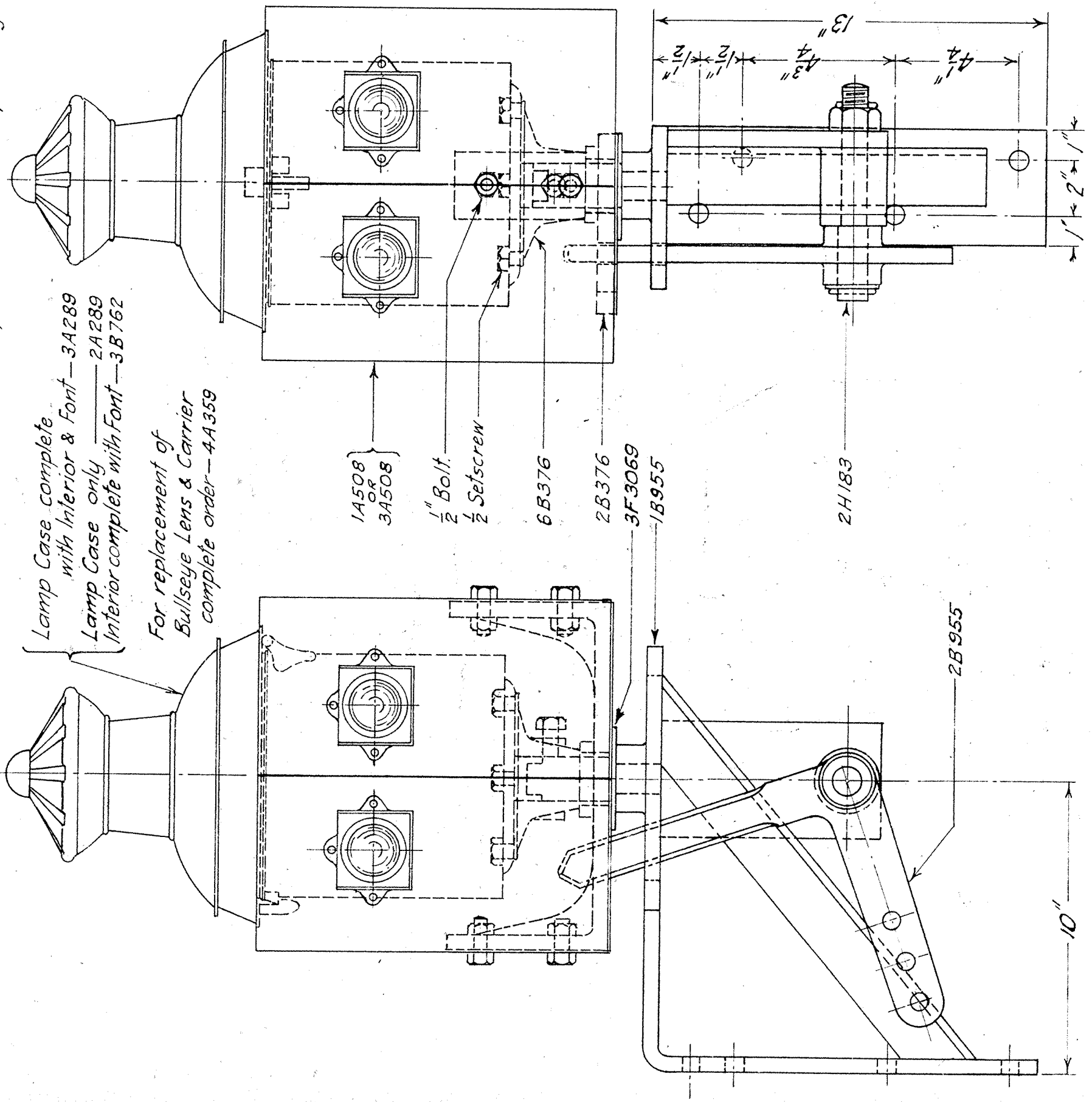
1A 631 POINT INDICATOR - COMPLETE -
FOR TURNOUT
2A 631 POINT INDICATOR - COMPLETE -
FOR DERAIL OR CATCH-BLADE



PLAN OF BRACKET & CRANK ONLY

No	NAME	MATERIAL	1A631	2A631
1B955	Bracket	M.S.	/	/
2B955	Operating Arm	M.S.	/	/
2B376	Motion Plate	C.I.	/	/
6B376	Lamp Stand	C.I.	/	/
2H183	Stud	M.S.	/	/
1A508	Target Complete	—	/	—
3A508	"	—	—	/
3F3069	Washer	M.S.	/	/
Stock	1" Hex. Setscrew $\frac{3}{4}$ " long $\frac{1}{2}$ " Bolt $1\frac{1}{4}$ " long	M.S.	5	5
		M.S.	4	4

NOTE - Lamp to be ordered separately



A 631

VICTORIAN RAILWAYS
POINT INDICATOR
POST MOUNTING
ASSEMBLY

Scale - 3" = 1"
25-8-42

2A631
1A631

Sig. & Tel.
Engineer

Drawn by
S. C. O.

1/11/1906

S. C. O.

A 631