

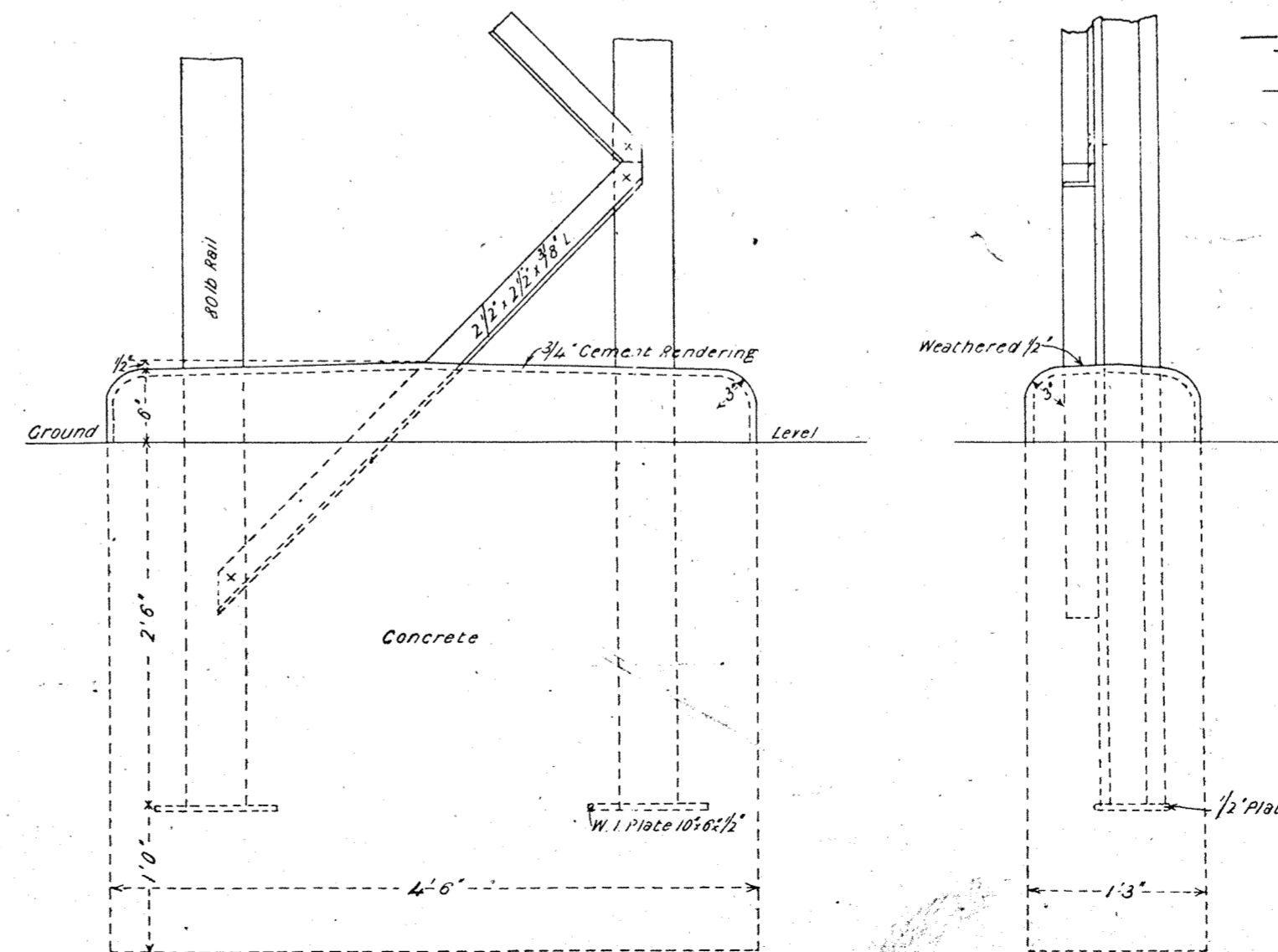
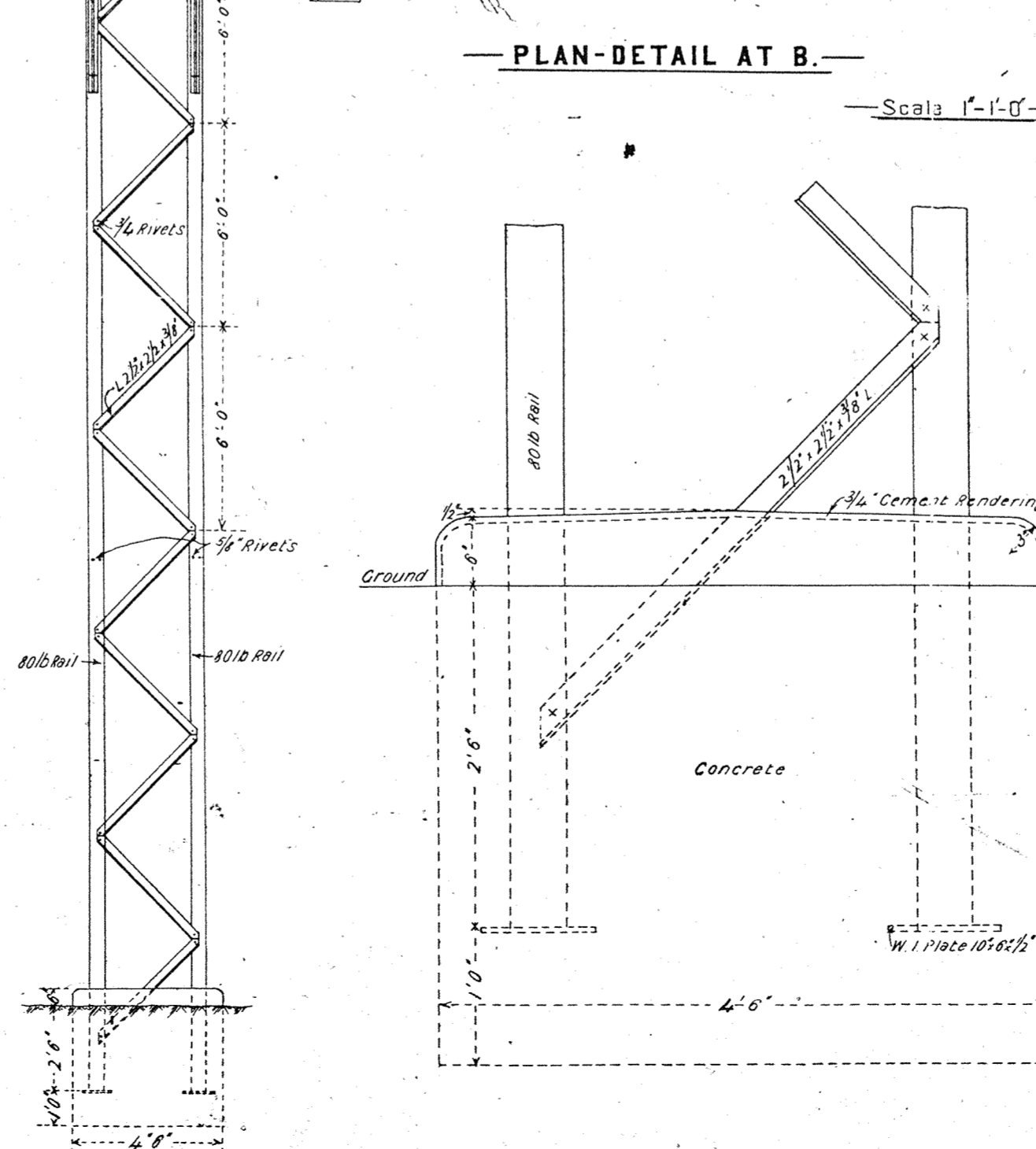
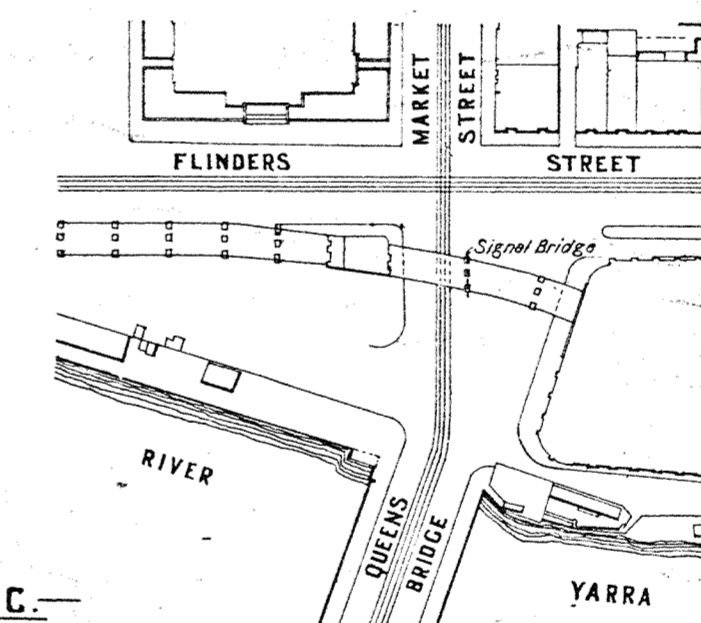
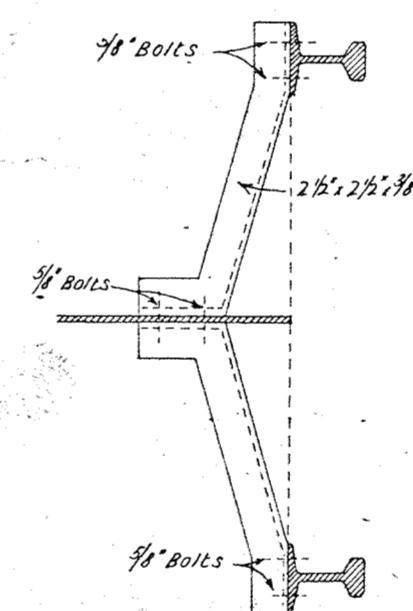
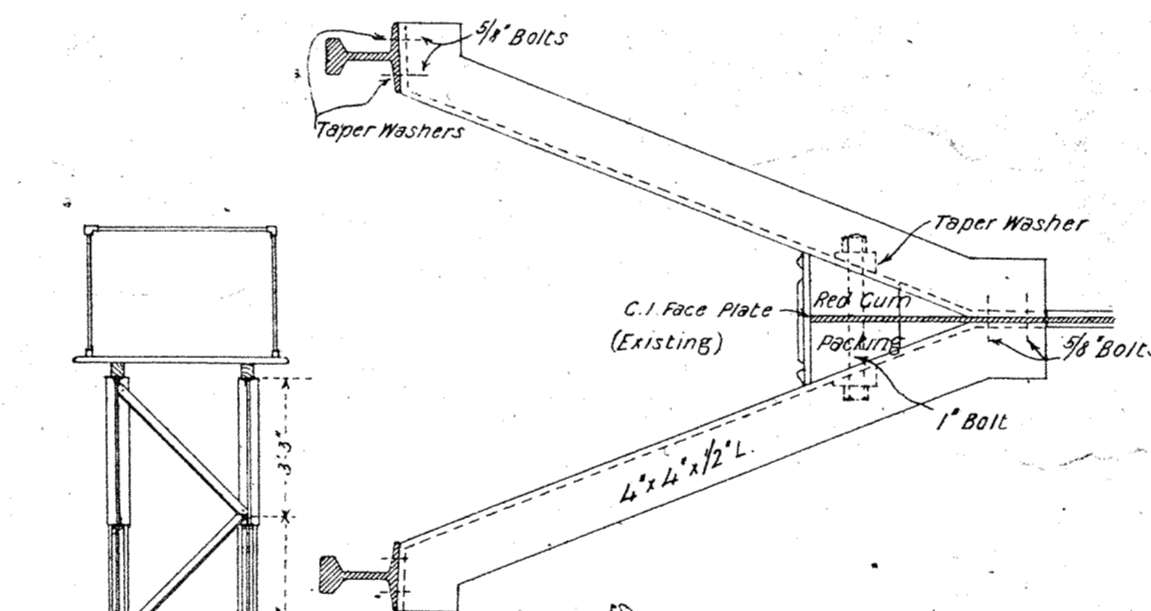
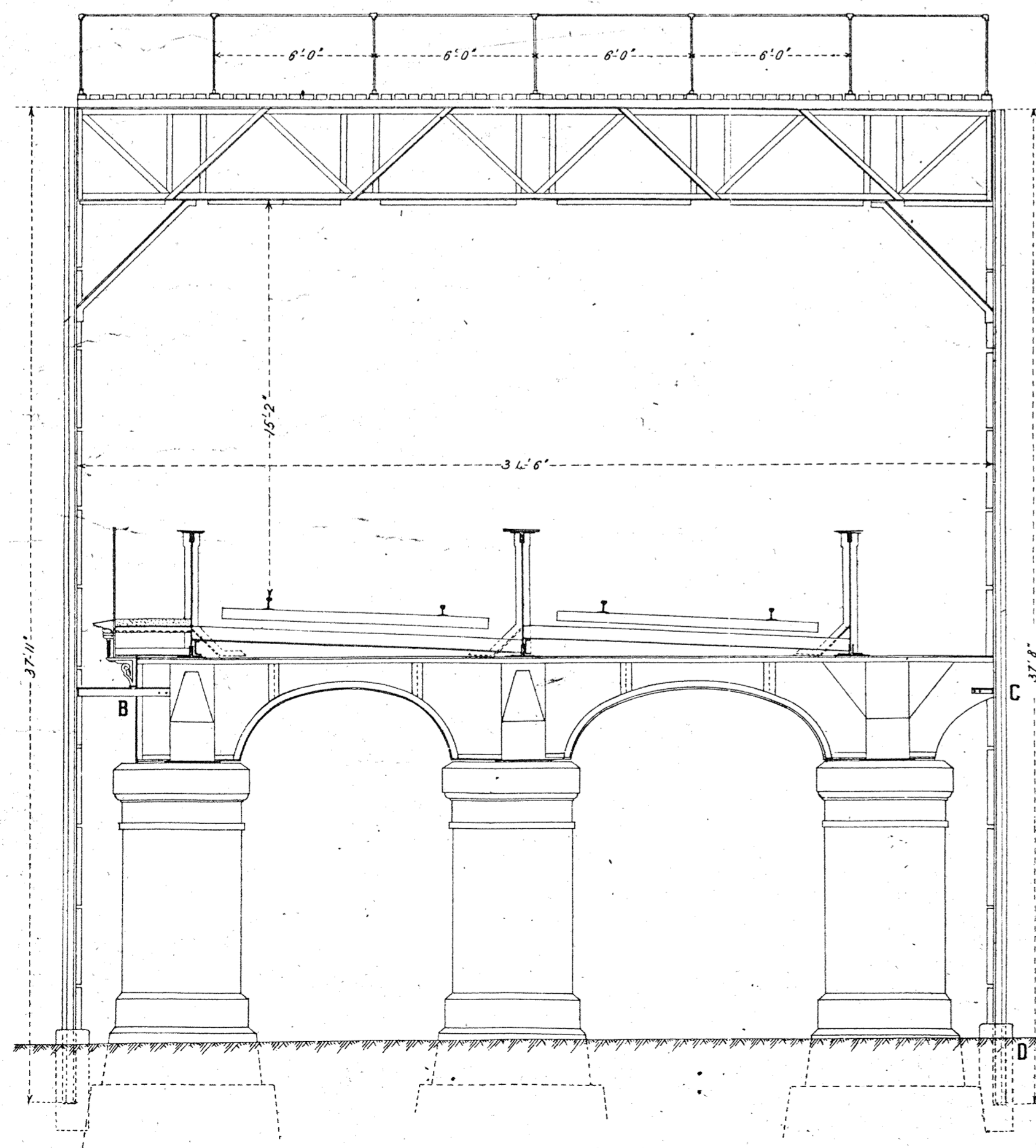
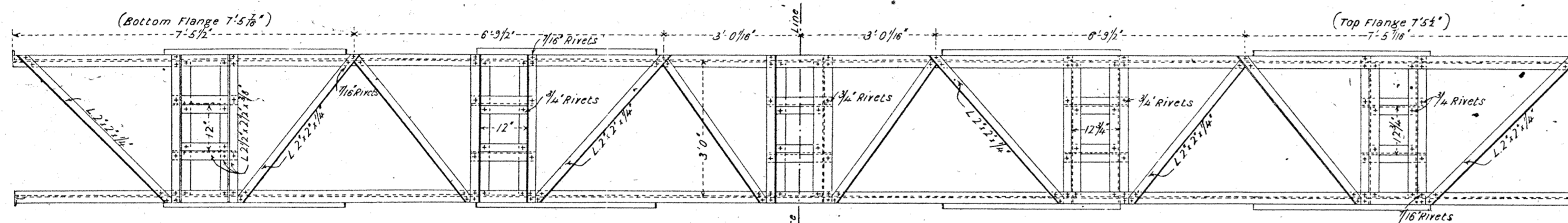
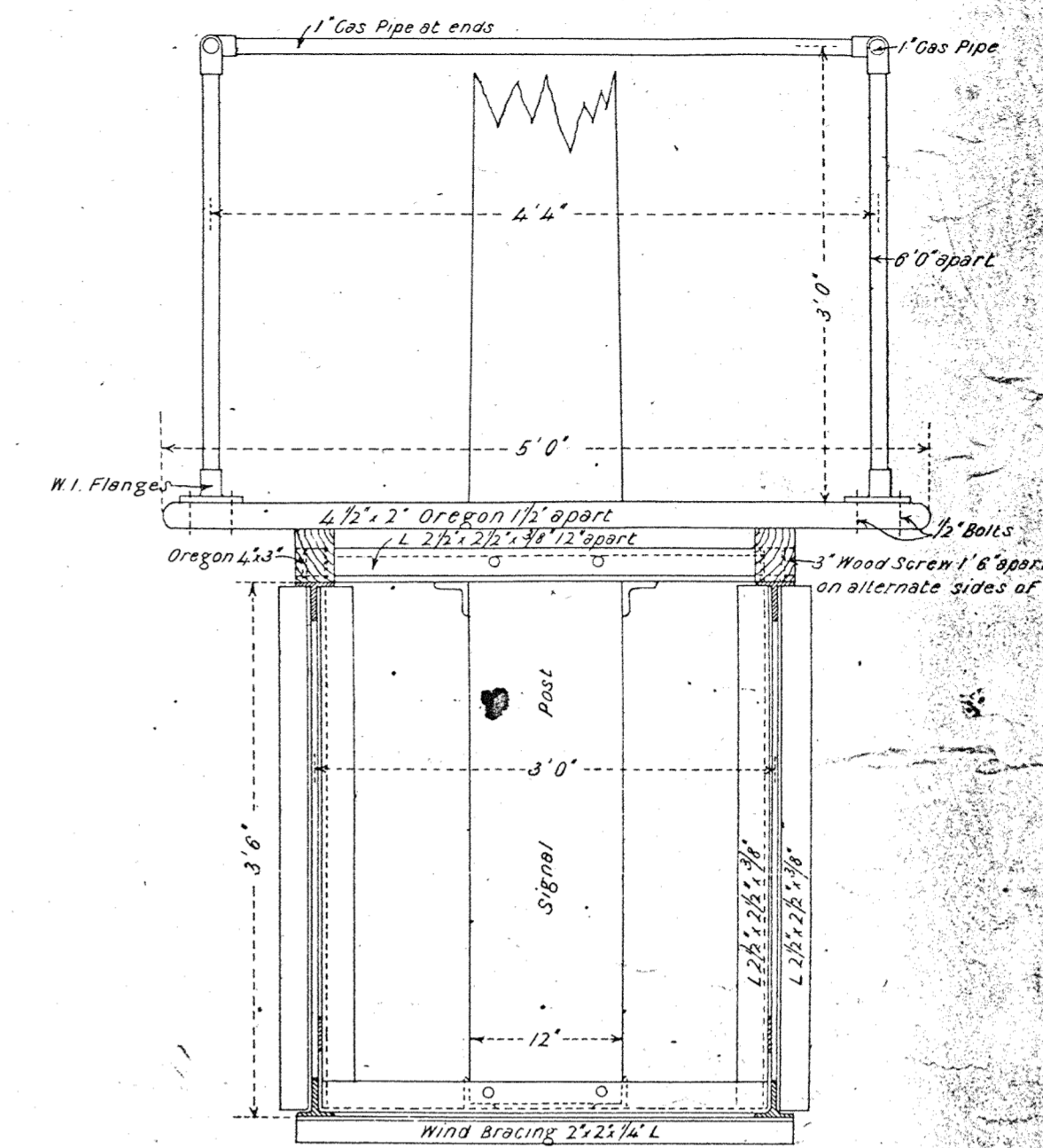
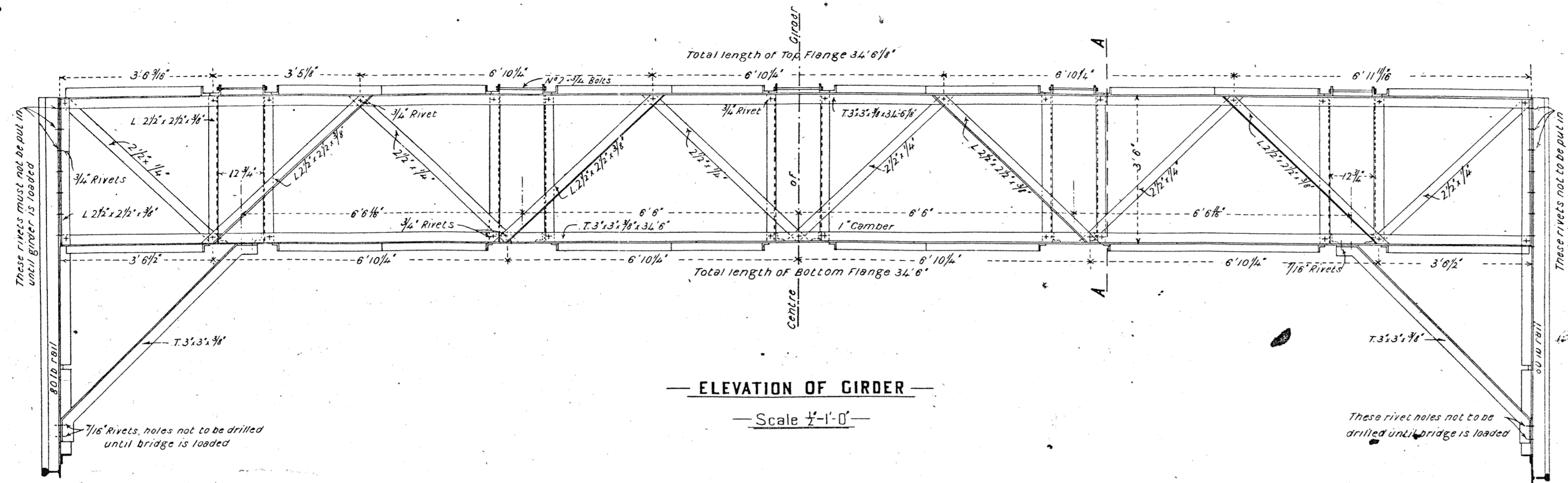
VICTORIAN RAILWAYS

FLINDERS STREET NEW STATION

— SIGNAL BRIDGE AT MARKET ST —

DIVISION
215
MAJOR

CONTRACT NO 10190
NO



I accept this as one of the Drawings referred to in the Specification and Conditions upon which I am based
My Tender Dated the 14th day of November 1901
Signature of Contractor *J. Chas. ...*
Witness to Signature *J. Chas. ...*
Date 20/11/01

E.M.P.
17.10.01
J.P.O.
17.10.01

CHIEF ENGINEER FOR EXISTING LINES
CONTRACT NO 10190
EXAMINED IN THE CONTRACTORS' ROOM
FROM 17.10.01 to 17.11.01
RAILWAY DEPARTMENT