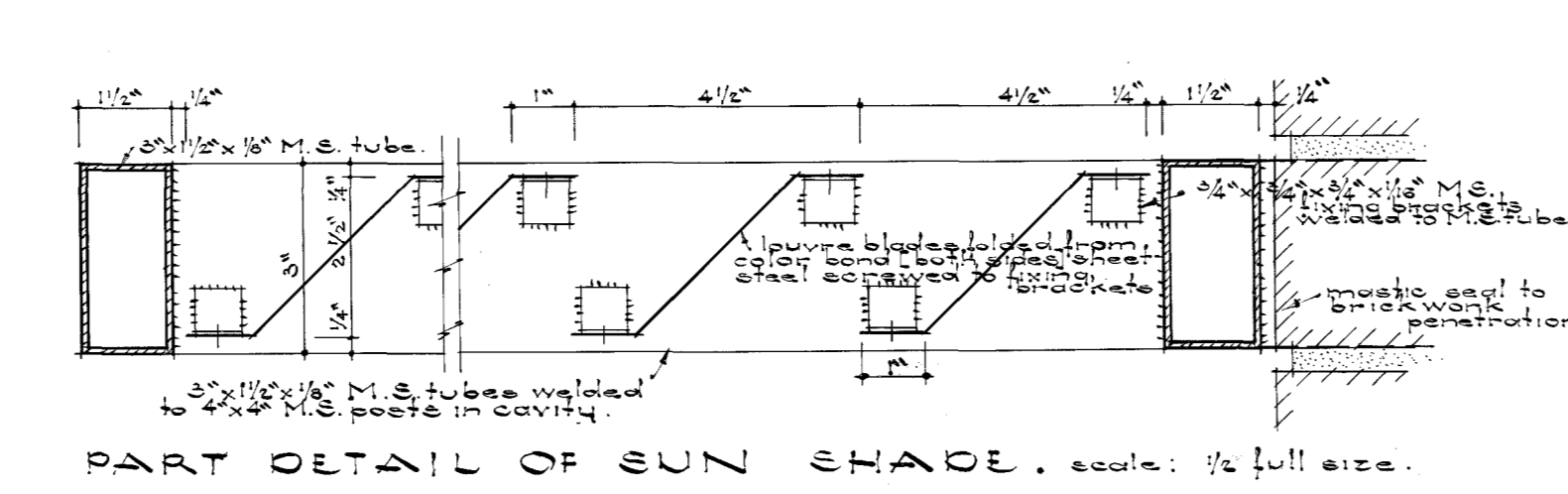
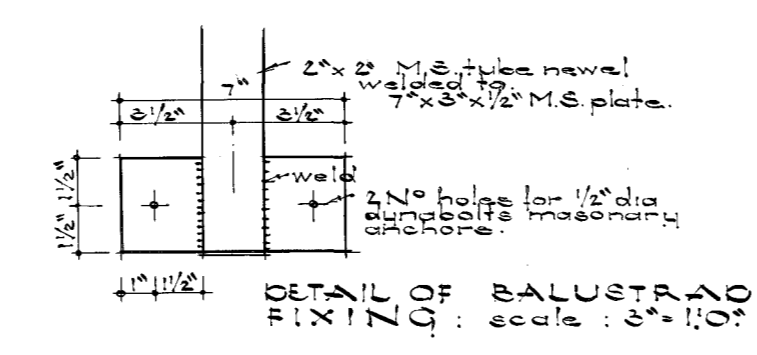


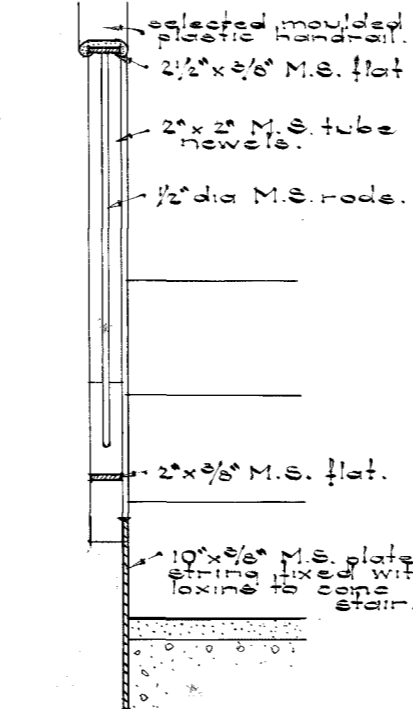
ISOMETRIC DETAIL AT A.
scale: 1/2" = 1'-0"



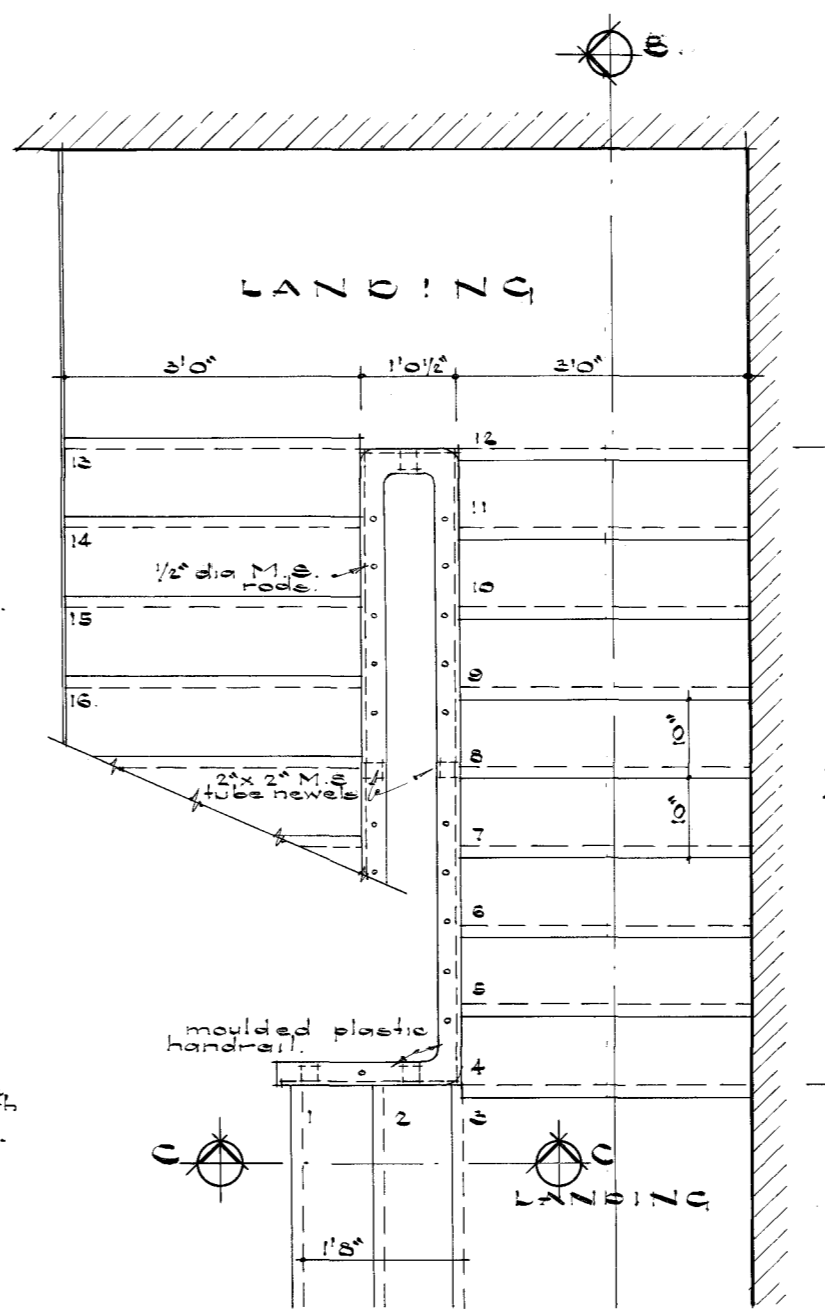
PART DETAIL OF SUN SHADE. scale: 1/2 full size.



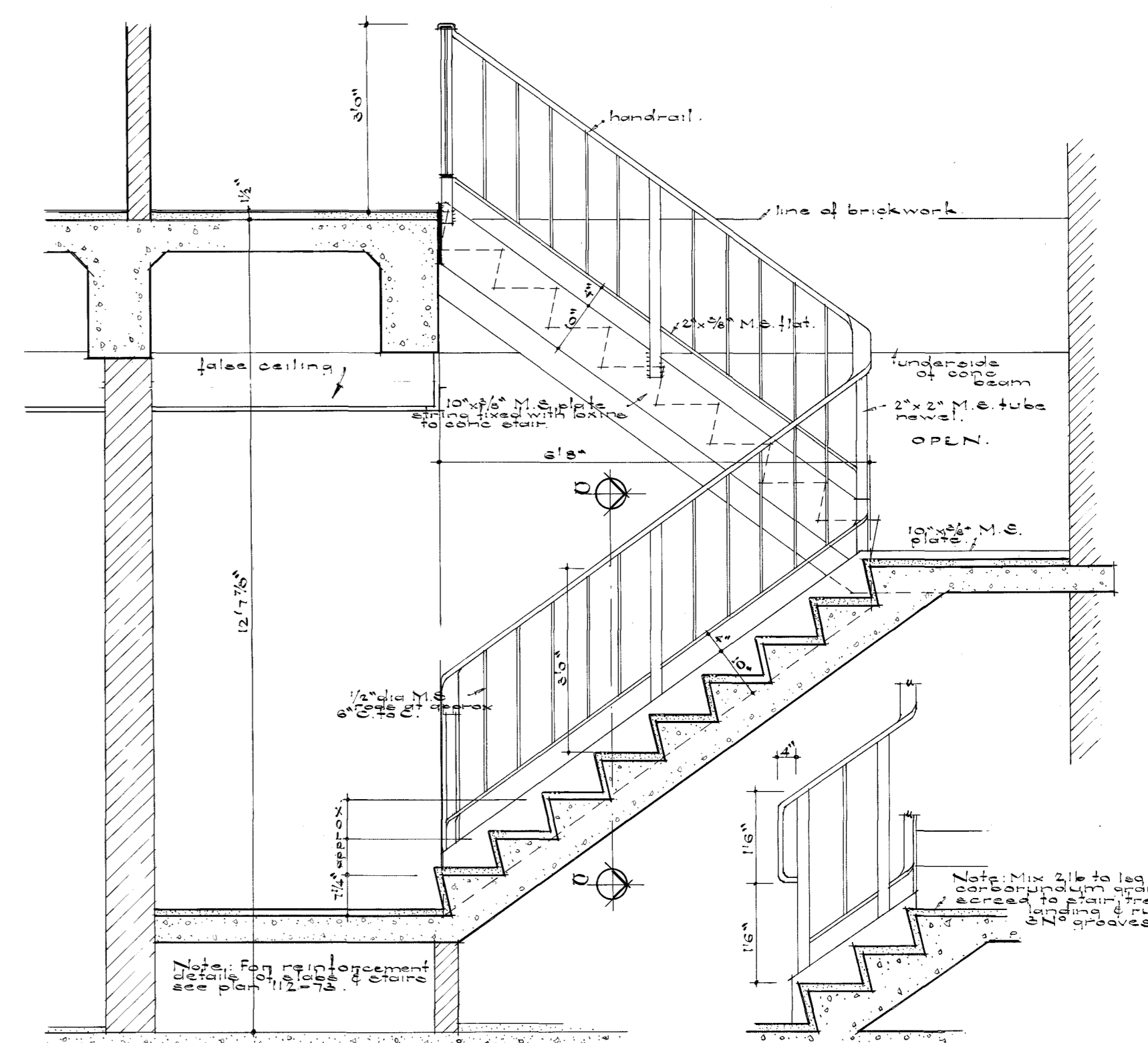
DETAIL OF BALUSTRADE.
scale: 3/4" = 1'-0"



SECTION DETAIL
scale: 1/2" = 1'-0"

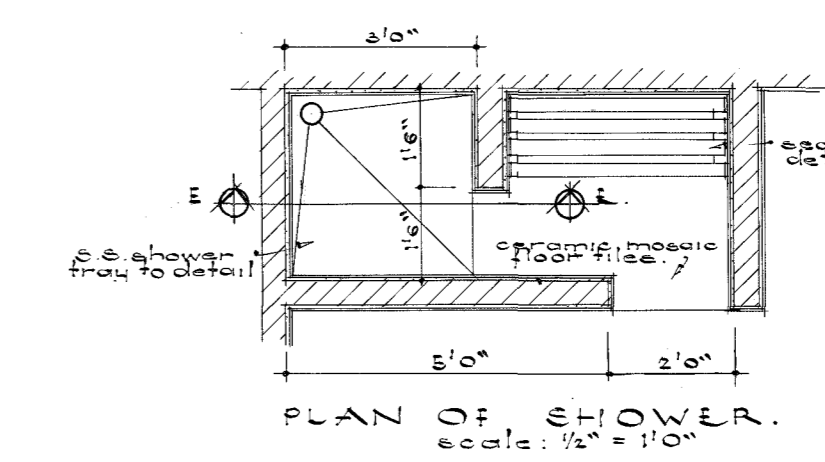


PLAN OF STAIRS TO WELL FLOOR.
scale: 1/2" = 1'-0"

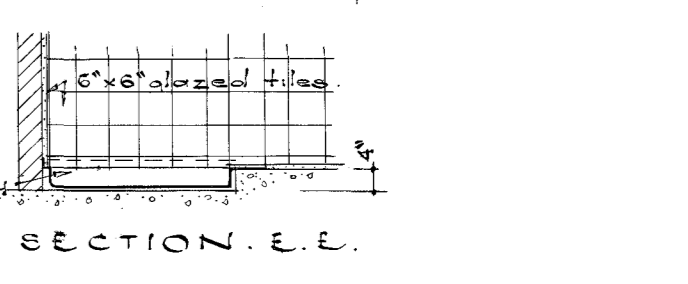


SECTION Z.B.B.

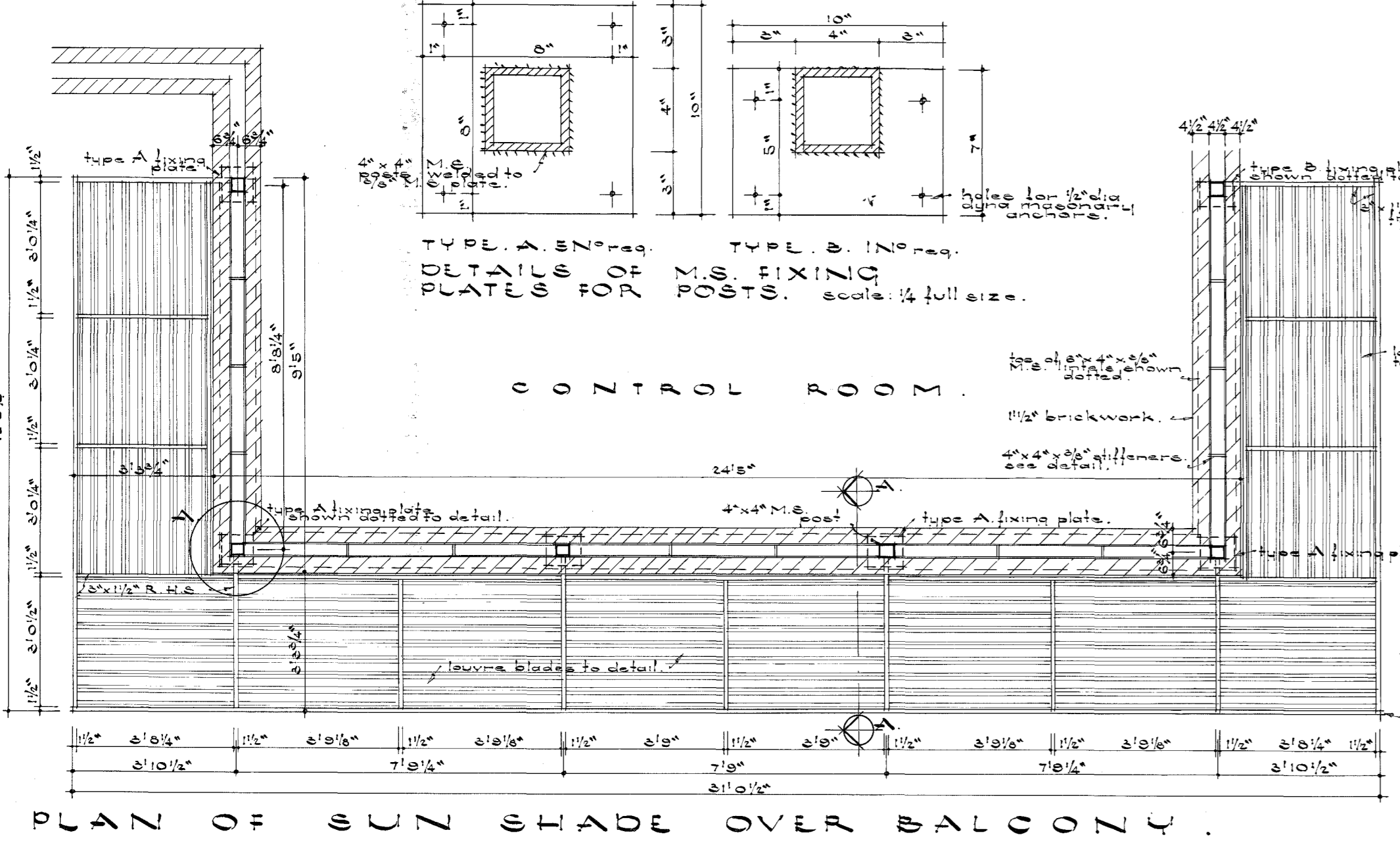
SECTION C.C.



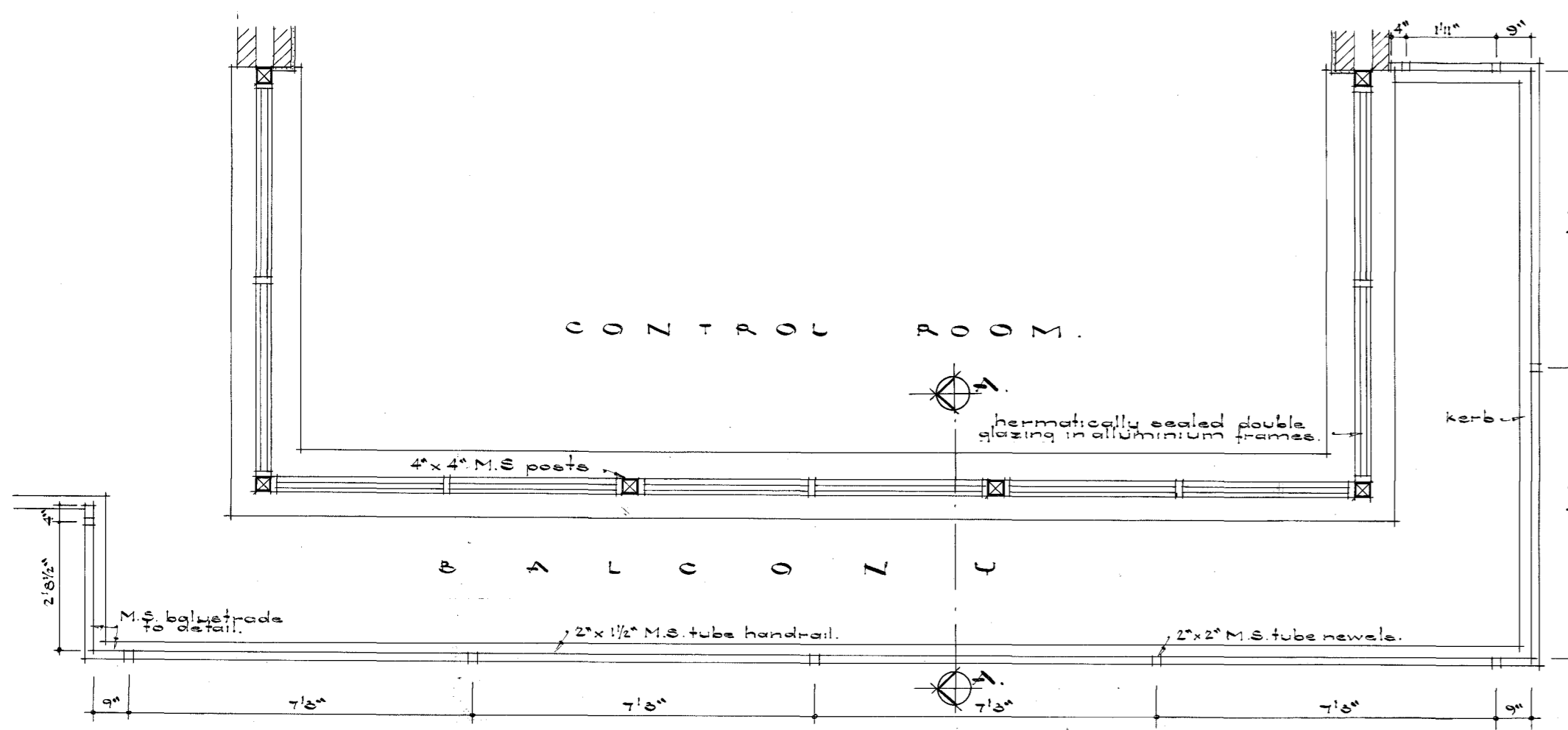
PLAN OF SHOWER.
scale: 1/2" = 1'-0"



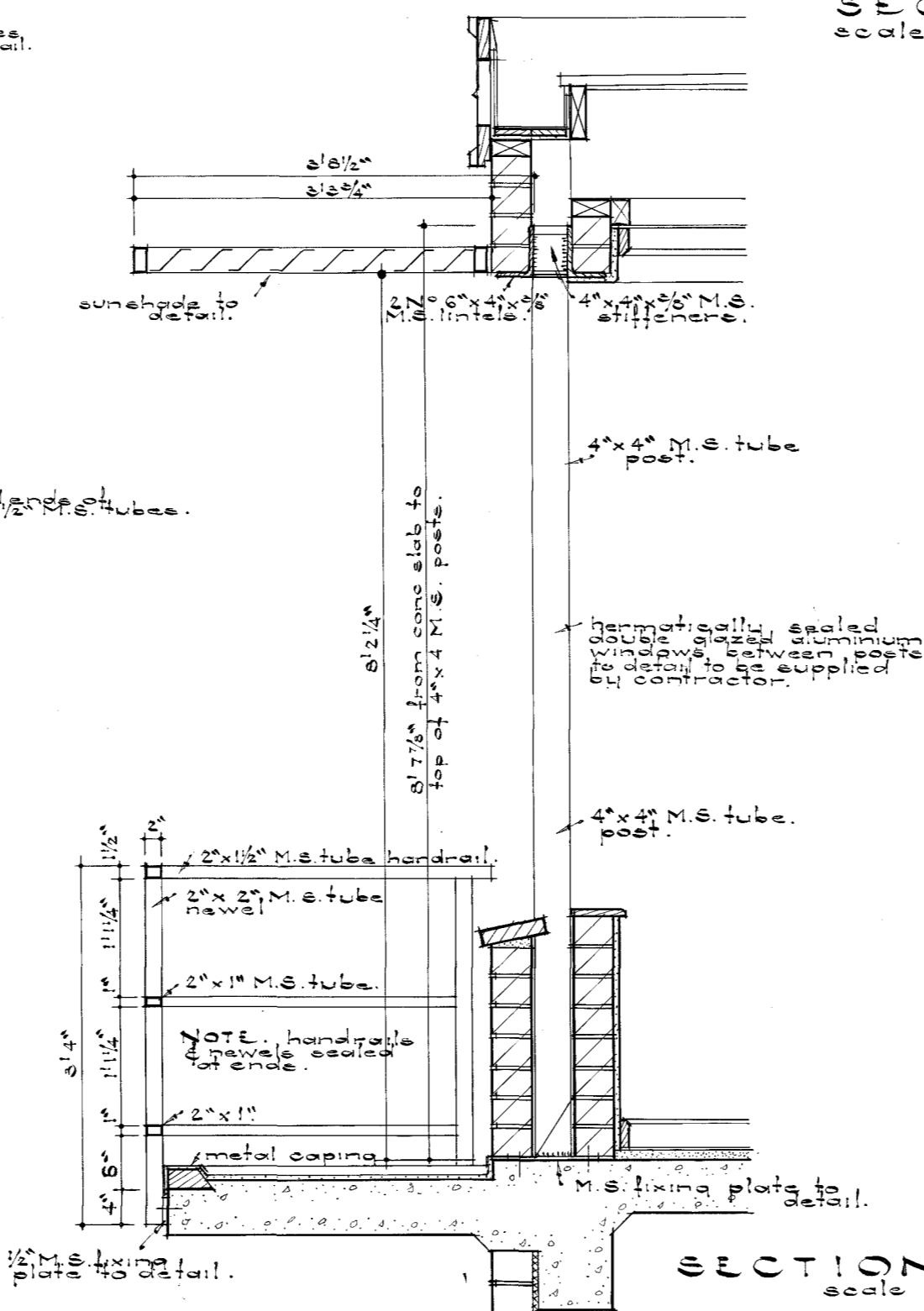
SECTION E.E.



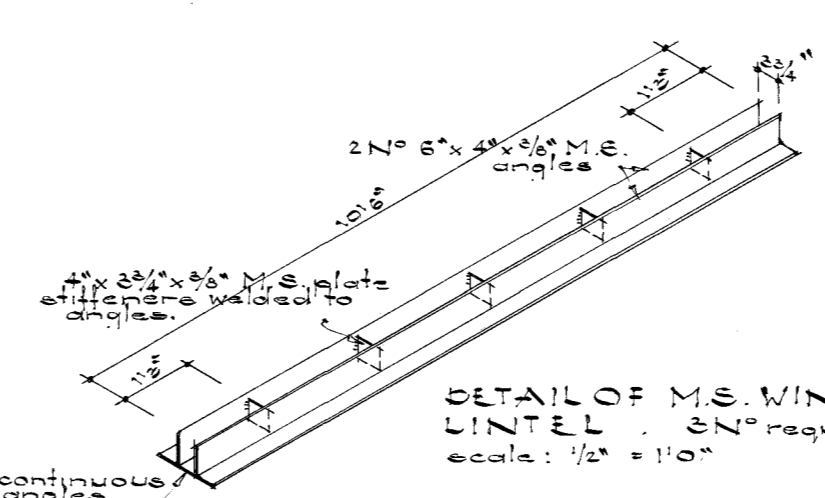
PLAN OF SUN SHADE OVER BALCONY.



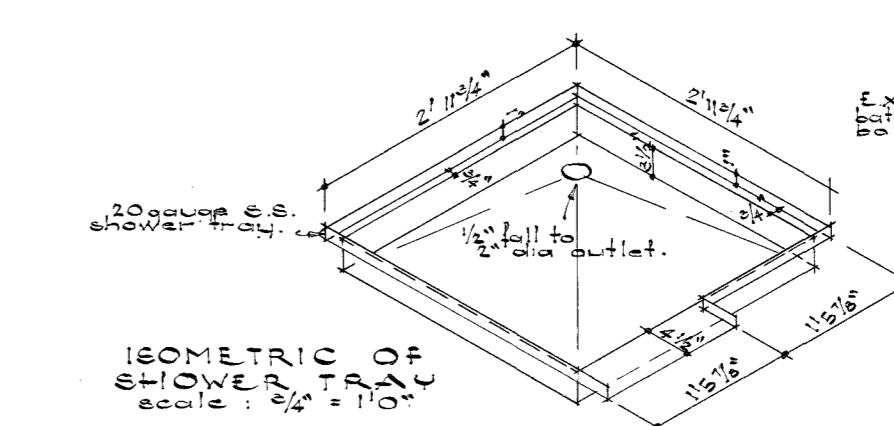
PLAN OF BALCONY BALUSTRADE. scale: 1/2" = 1'-0"



SECTION Y.Y.
scale: 1/2" = 1'-0"



DETAIL OF M.S. WINDOW LINTEL. 1/2" = 1'-0"



ISOMETRIC OF SHOWER TRAY.
scale: 1/2" = 1'-0"

REV. NO.	DATE	REVISION	DESCRIPTION	DESIGNED BY	AUTHORITY	IN CHARGE	PRIME CONSULTANT	CONTRACTOR

VICTORIAN RAILWAYS		PRIME CONSULTANT	
DESIGNED BY	OFFICE	JOHN CONNELL - MOTT, HAY & ANDERSON,	HATCH, JACOBS.
CHECKED FOR	APPROVED		
DESIGNED BY	DRAWN BY		
CHECKED FOR	DATE		
STRENGTH & STABILITY BY	ENGINEER OF PLANNING		

MELBOURNE UNDERGROUND RAIL LOOP AUTHORITY		DRAWING ACCEPTED PER CONSULTING AGREEMENT	
MELBOURNE UNDERGROUND RAIL LOOP			
TITLE		DRG. No.	
EAST MELBOURNE		232/72	
NEWERBIC DETAIL OF BALCONY			
DETAIL SHEET 2			

359