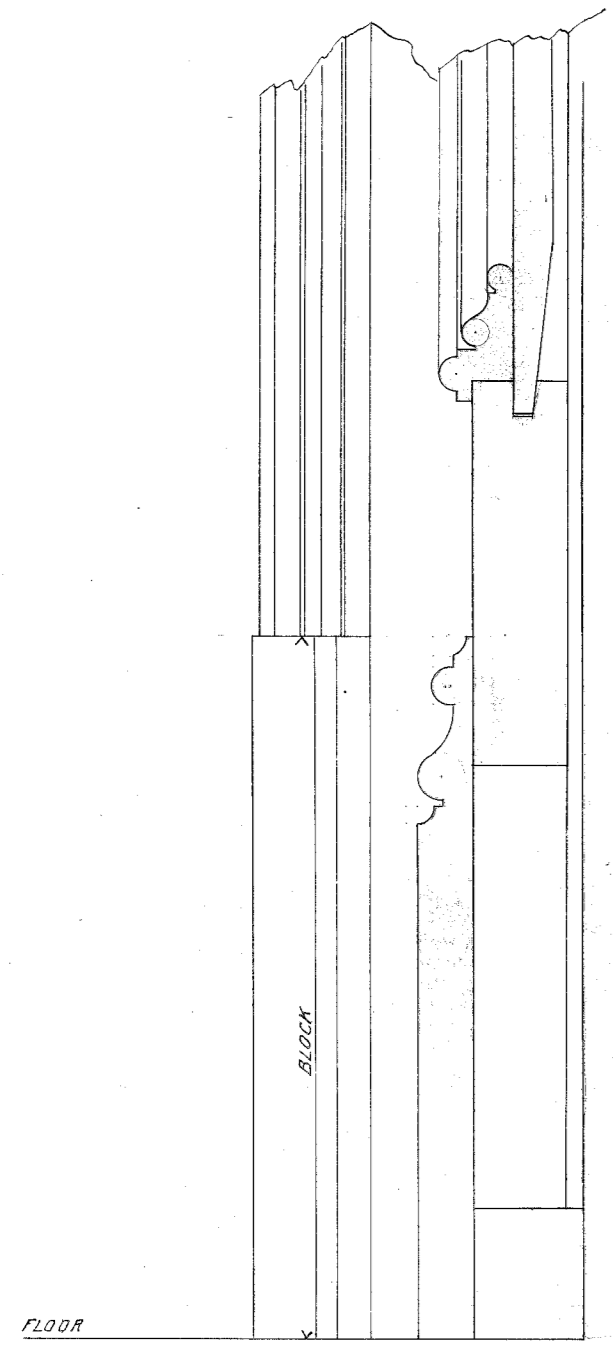


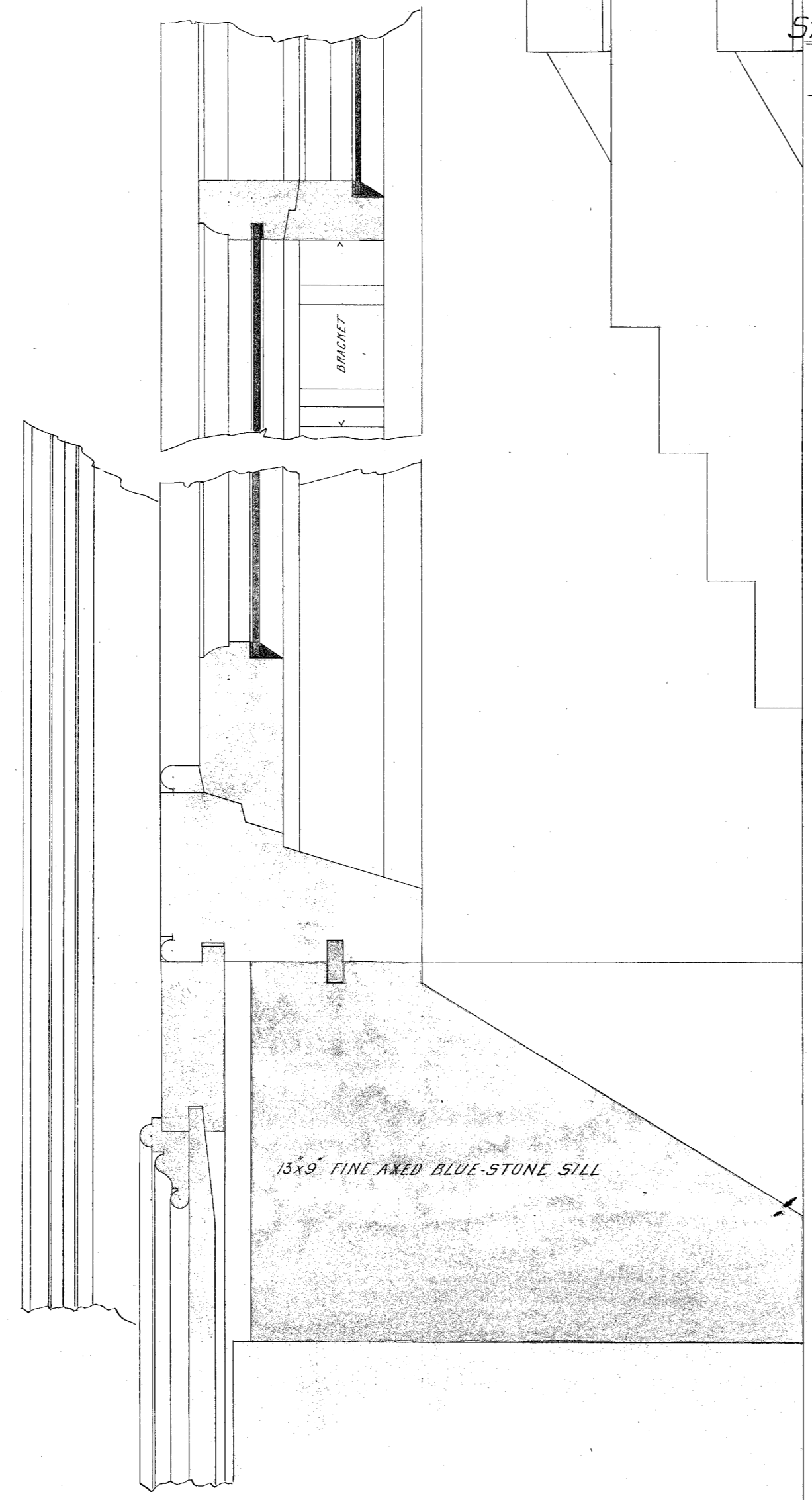
V. R.  
 Melbourne and Coburg LINE  
 STATION BUILDINGS AT Coburg.

CONTRACT N<sup>o</sup> 2947.  
 N<sup>o</sup> 3

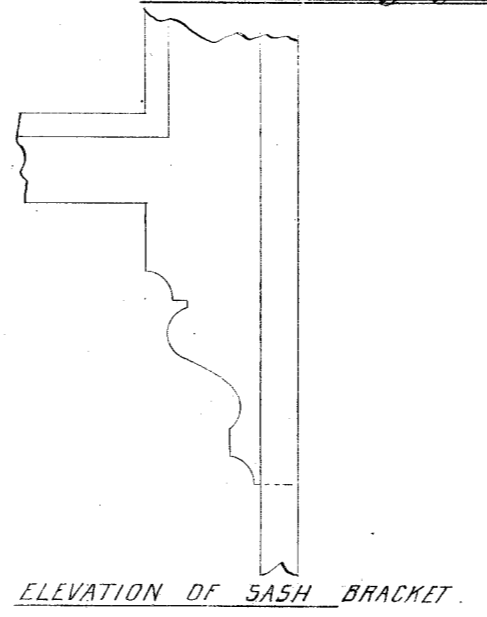
DETAILS  
 Scale . Half full size



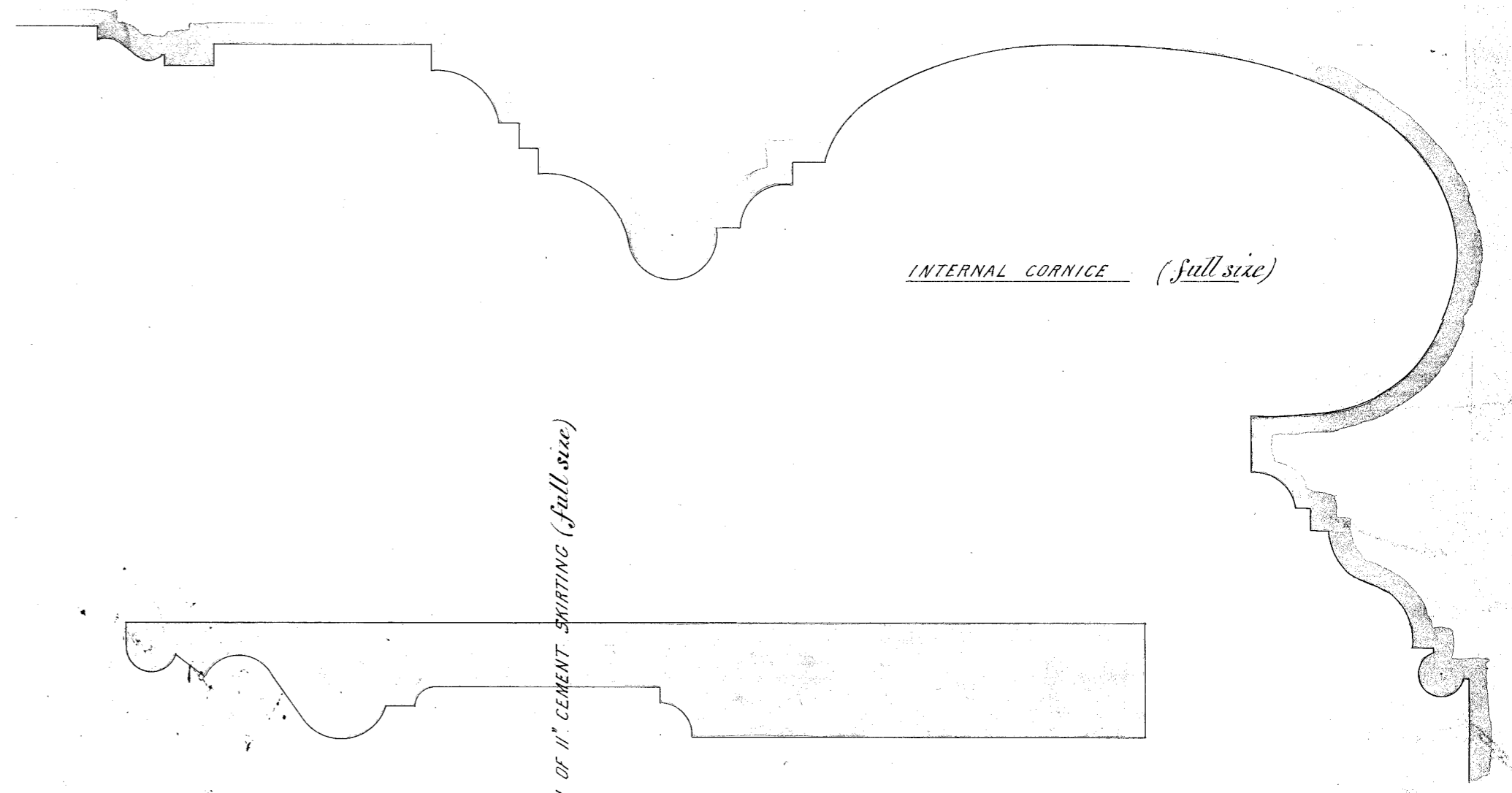
SECTION THROUGH BOTTOM RAIL & PLINTH OF WINDOW-BACK



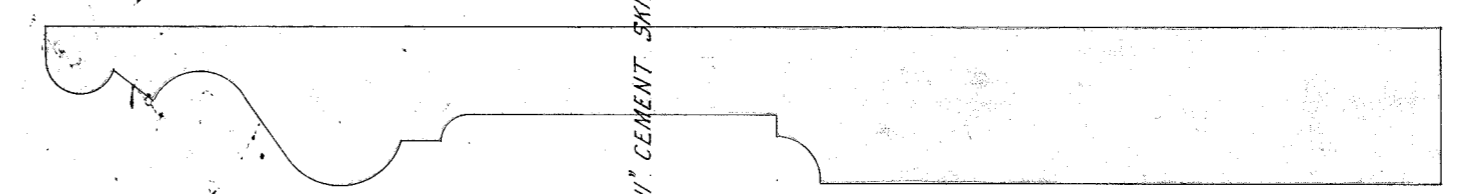
SECTION THROUGH SILLS, MEETING-RAIL &c OF A WINDOW WITH MOLDED BACKS



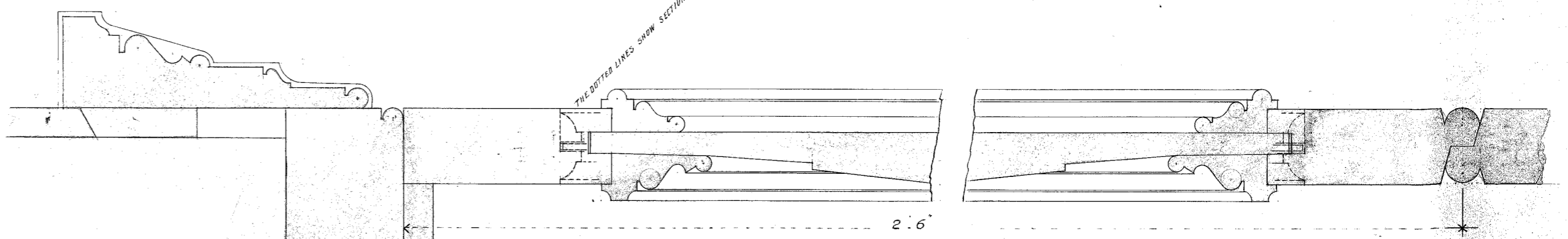
ELEVATION OF SASH BRACKET



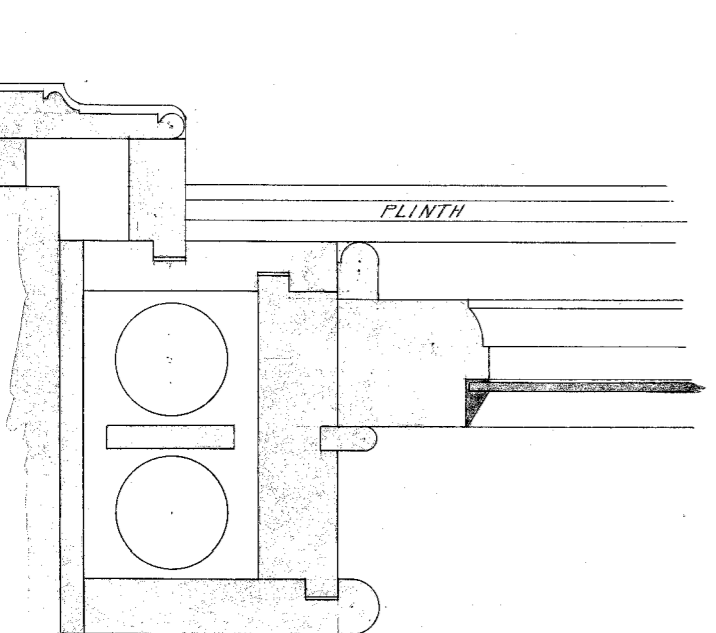
INTERNAL CORNICE (full size)



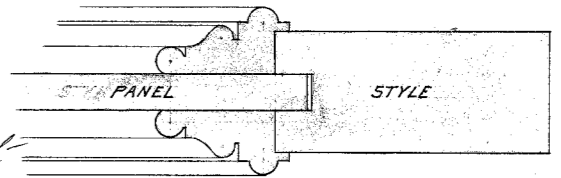
SECTION OF 12" CEMENT SKIRTING (full size)



DETAIL PLAN FOR DOORS &c TO PLATFORM

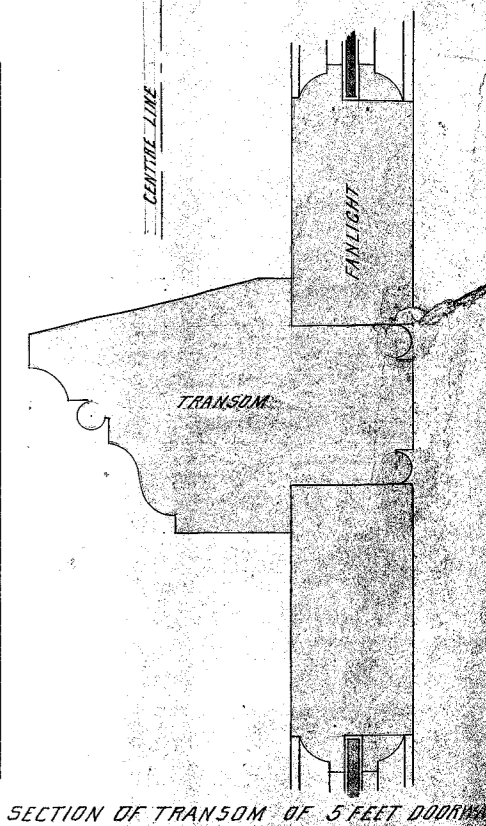
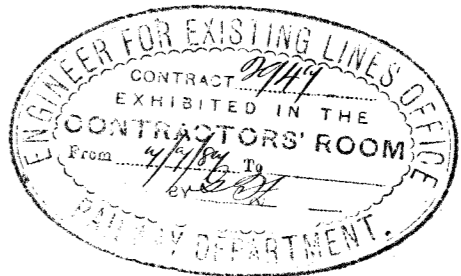


PLAN OF WINDOW FRAME, SASH, &c



DETAIL FOR INTERNAL DOOR

I accept this as one of the drawings referred to in the Specification and Conditions upon which... based  
 (WY. Teator Dated the... 2nd day of... 1919)  
 Signature of Contractor *[Signature]*  
 Witness to Signature *[Signature]*  
 Date... 9/18/19



SECTION OF TRANSOM OF 5 FEET DIAMETER