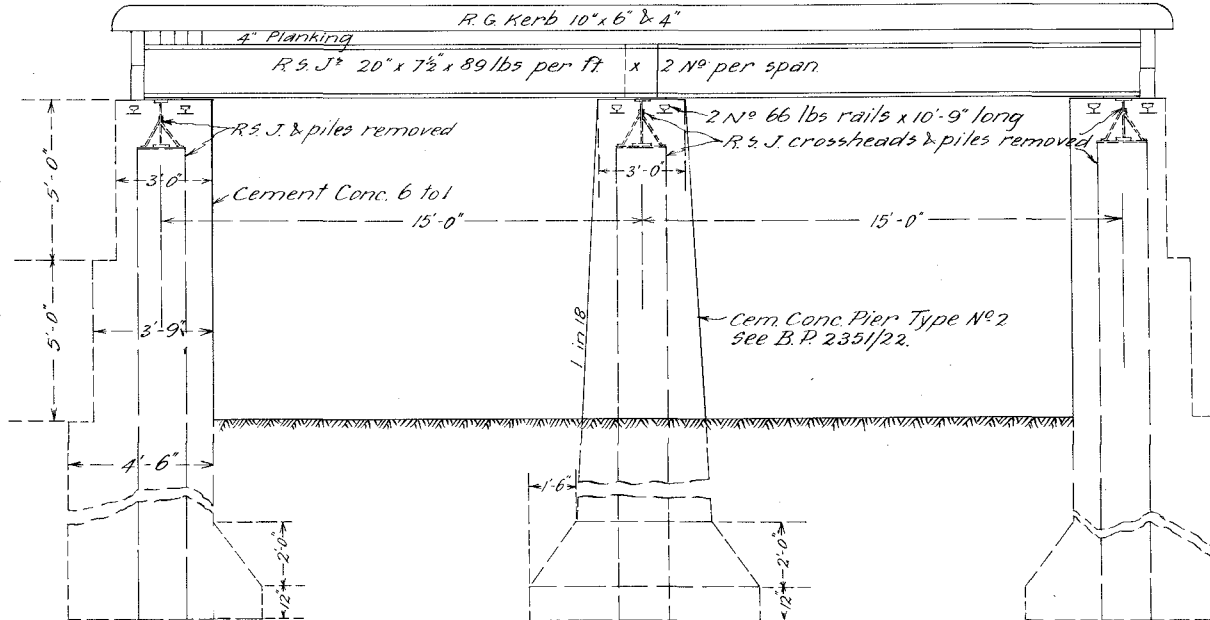
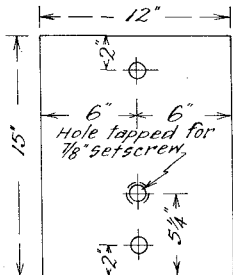
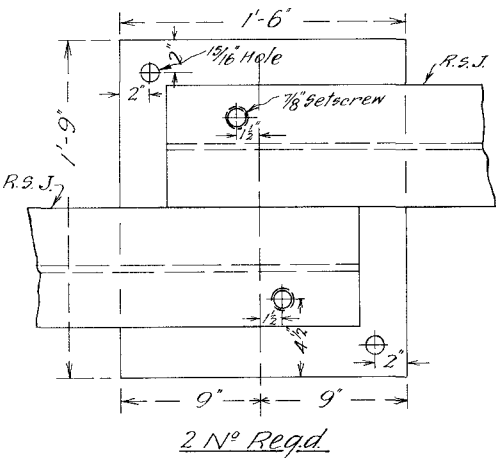


HALF CROSS SECTION
SCALE 1/2" = 1'-0"



ELEVATION
SCALE 1/4" = 1'-0"



DETAILS OF BEDPLATES
SCALE 1 1/2" = 1'-0"

V. R.
CASTLEMAINE TO MARYBOROUGH
Renewal of Substructure
of Bridge at 81-43-10
 For details of Abutments & Wings see B.P. No 2655/23

[Signature]
 STRUCTURE ENGINEER

[Signature]
 CHIEF ENGINEER OF
 WAY AND WORKS.
 28-8-25