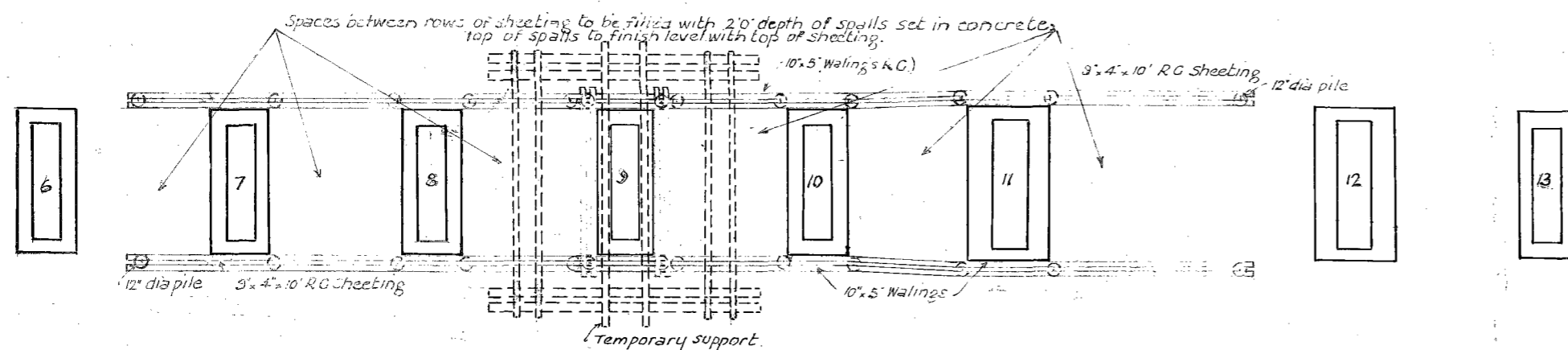
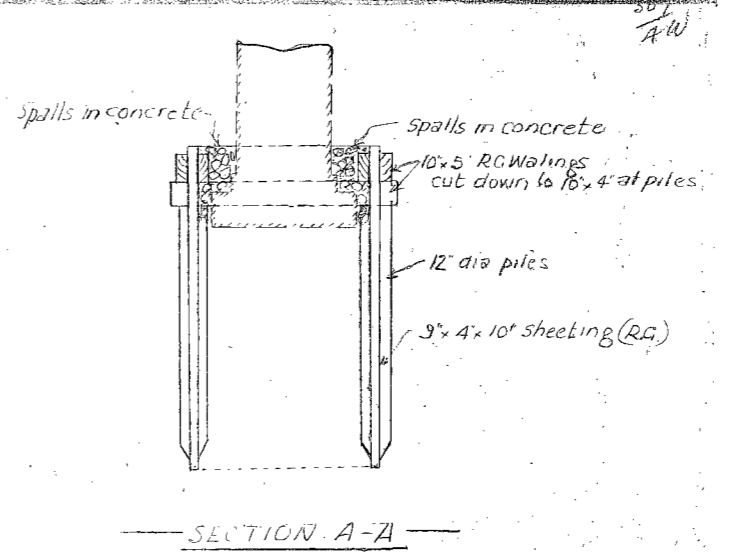


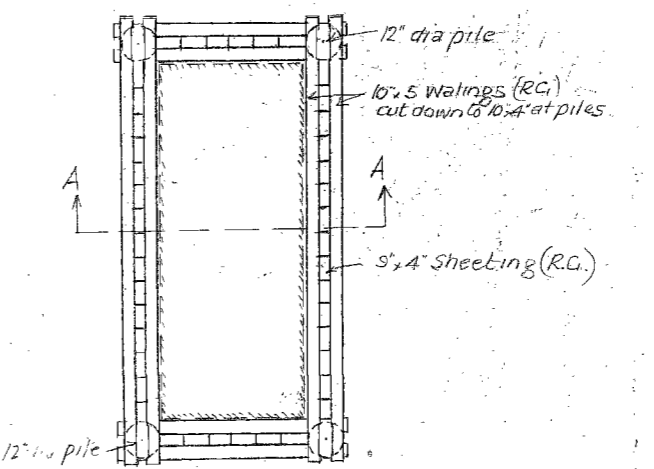
PART LONGITUDINAL SECTION
Scale 1/8" = 1 foot



PART PLAN OVER PIERS
Scale 1/8" = 1 foot



SECTION A-A



PLAN
DETAIL OF SHEETING AT PIER 9
Scale 1/4" = 1'0"

B. 34 32

VICTORIAN RAILWAYS	
CASTLEMAINE TO MARYBOROUGH	
96m 2c 36 Bridge over Joyce's Crk 23/15/27	
Proposed protective sheeting for piers 7 to 11	
<i>AW</i>	
Drawn by M.F.C.	Checked by L.A.O.B. <i>M.S.</i> Eng. of Struct. Design
PLAN NO. 67/4	