

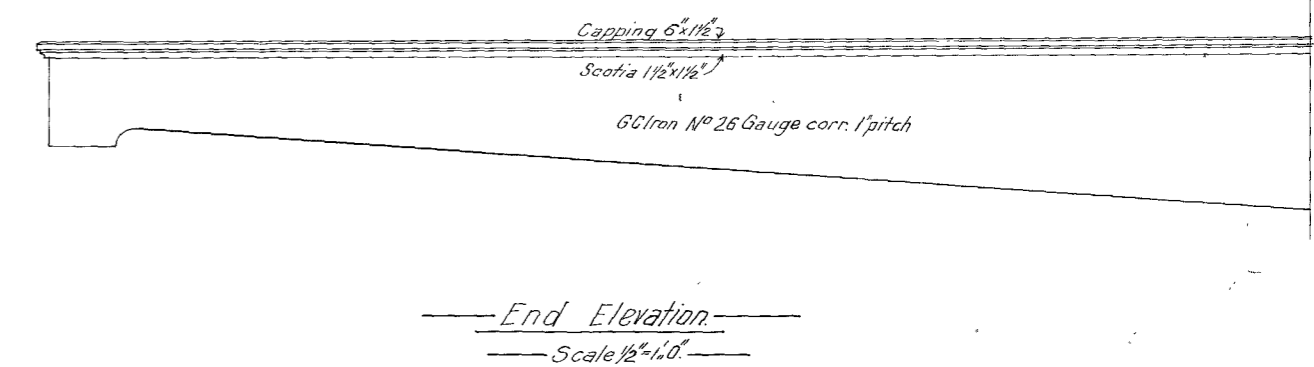
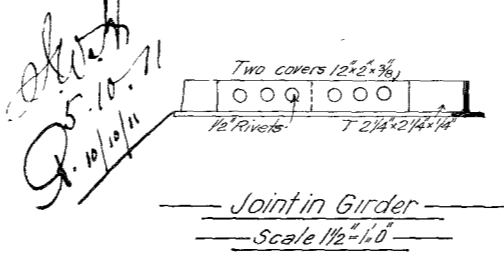
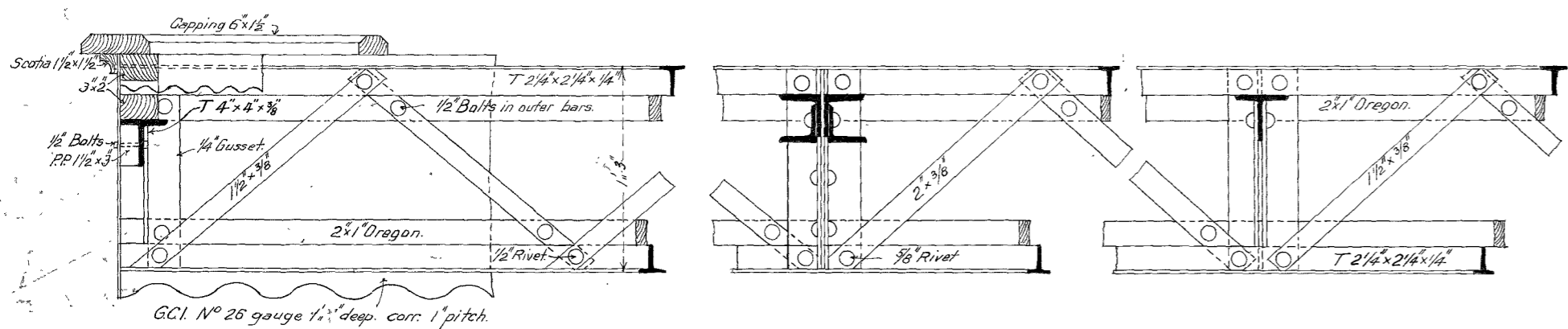
V. R.

NEW STATION BUILDINGS AT MAFFRA, STRATFORD AND GLENROWAN, AND MACEDON.

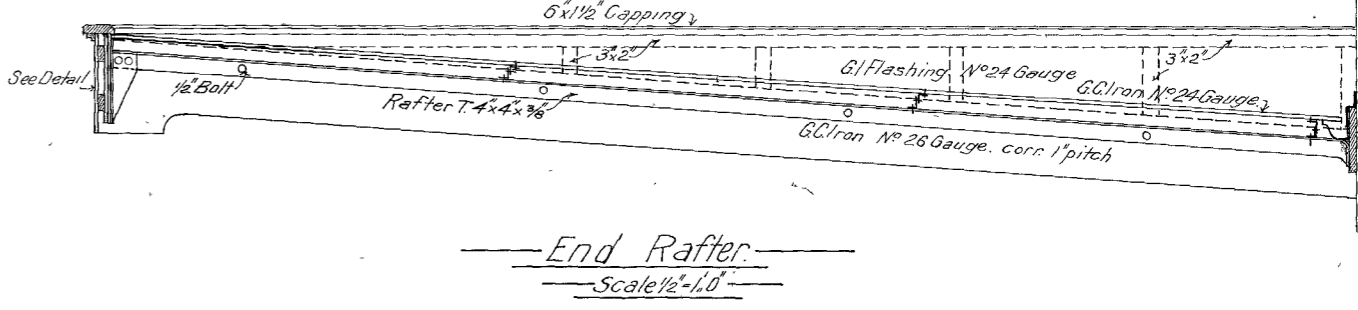
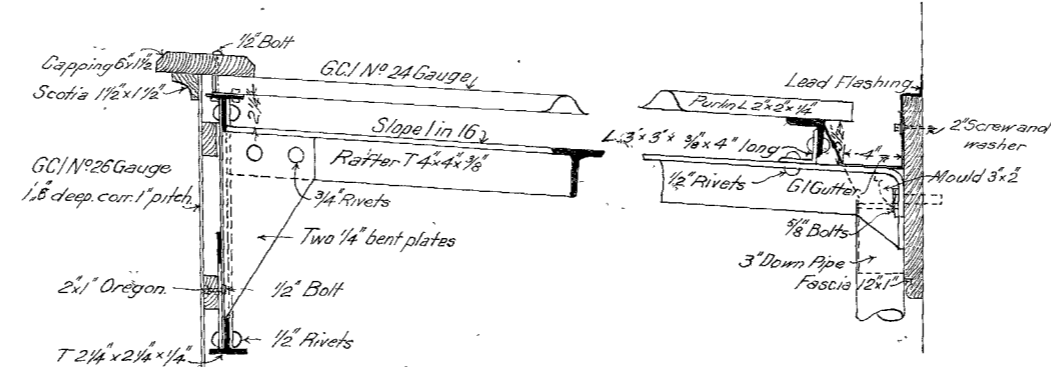
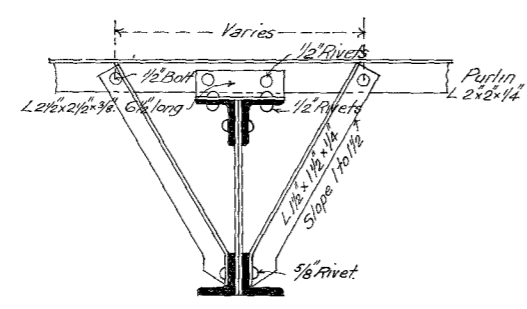
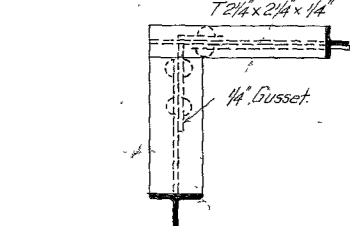
VERANDA H.

Contract No  
No

Macedon  
Tallangatta  
Penshurst  
Elaine  
Riddell  
Dookie  
Hopetoun  
Uluma  
Heyfield  
Woomelang  
Alphington  
Seymour  
Moorabool  
Sea Lake  
Golden Square  
Yarra Glen  
North Melbourne  
Lindenow



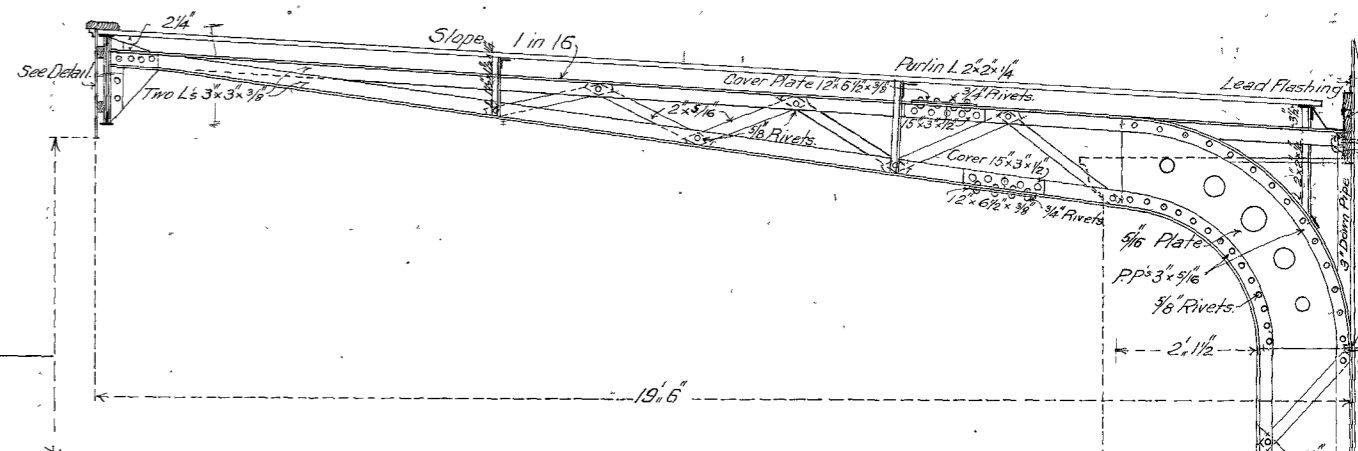
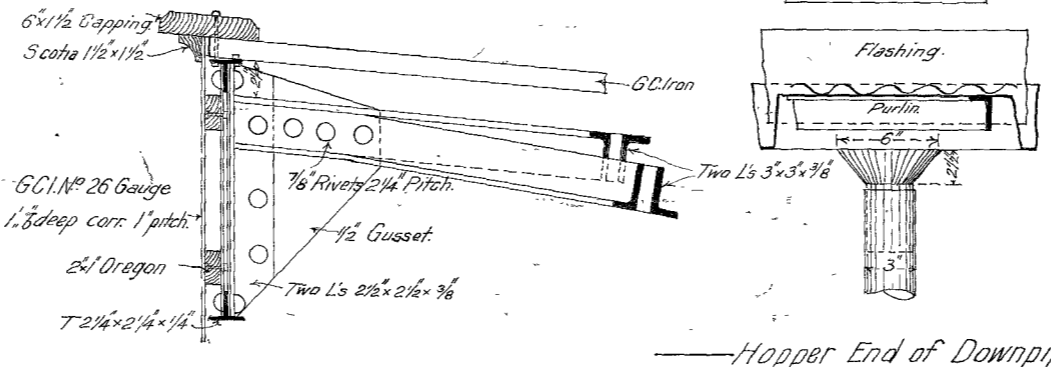
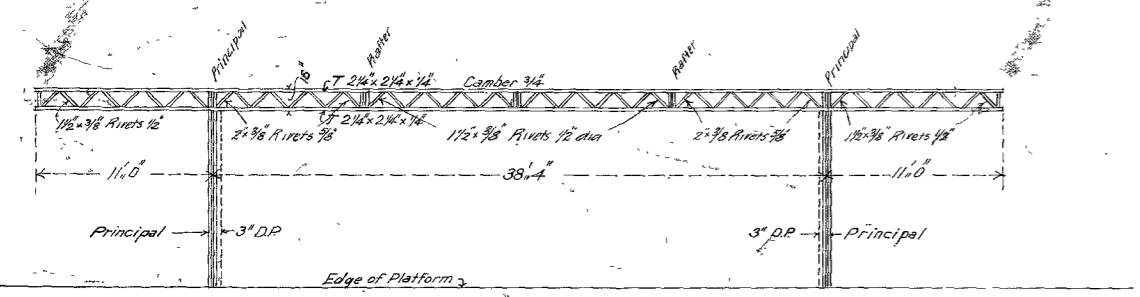
Details of Girder and Screen



Joint in Purlin

Stiffener to Purlins

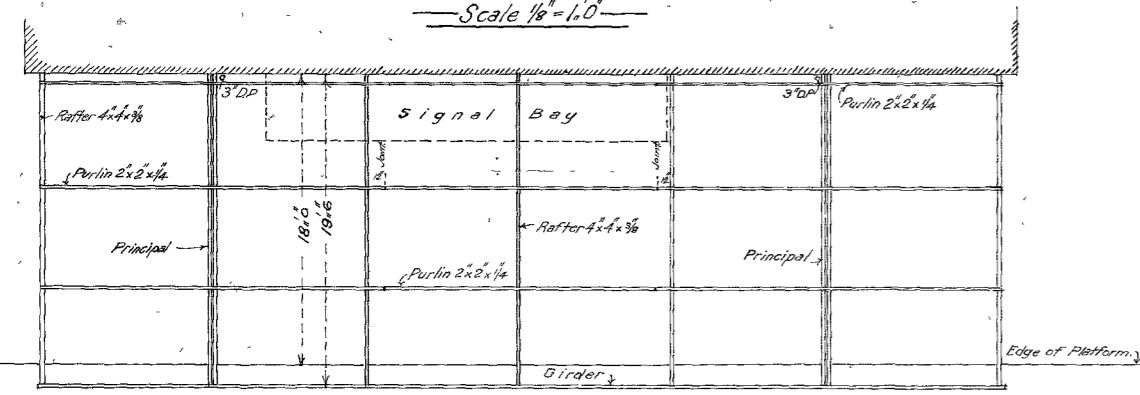
Ends of Rafter



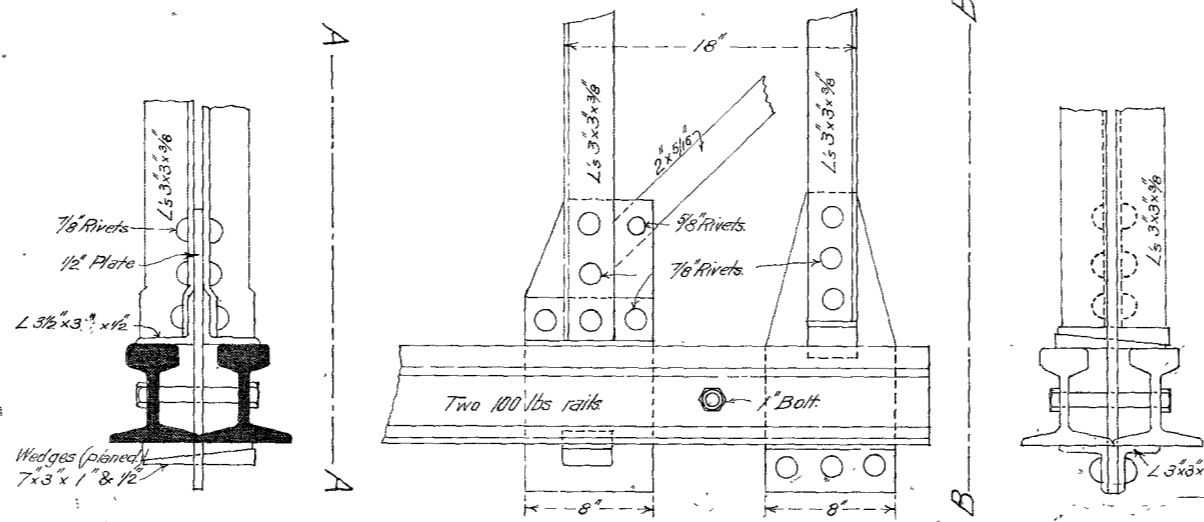
End of Principal

Hopper End of Downpipe

Elevation



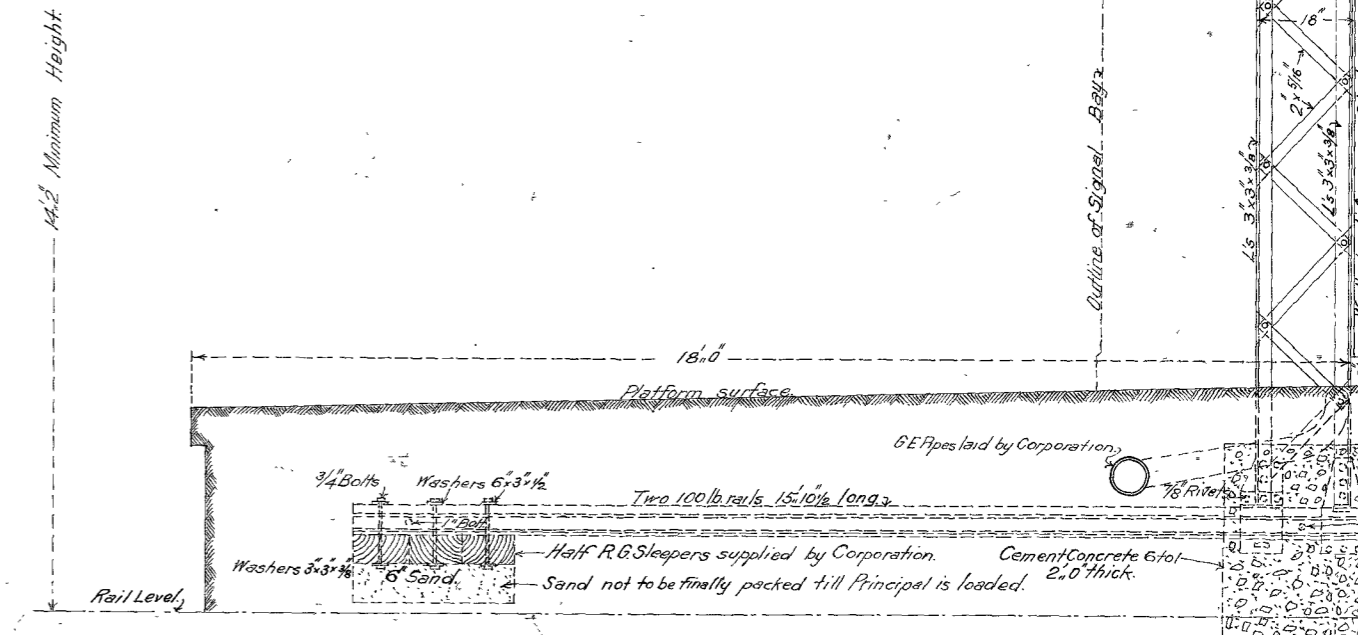
Plan



At A-A

Details of Principal

At B-B



Principal

Scale 1 1/2" = 1'-0"

11.10.11

- Golden Square
- Hopetoun
- Heyfield
- Lindenow
- Macedon
- Maffra
- Woomelang
- Yarra Glen
- Alphington
- Dookie
- Elaine
- Glenrowan
- NYORA
- Sea Lake
- Stratford
- Tallangatta
- Uluma
- Woolmelang
- Yarra Glen